

# 0.1"(2.54mm) Female Header Standard

## Profile: 8.5mm Dual Row With Polarization Bump

### APPLICATION AND FEATURES

1. For standard profile application 8.5mm high.
2. Accept 0.64mm square pin header.

### SPECIFICATIONS

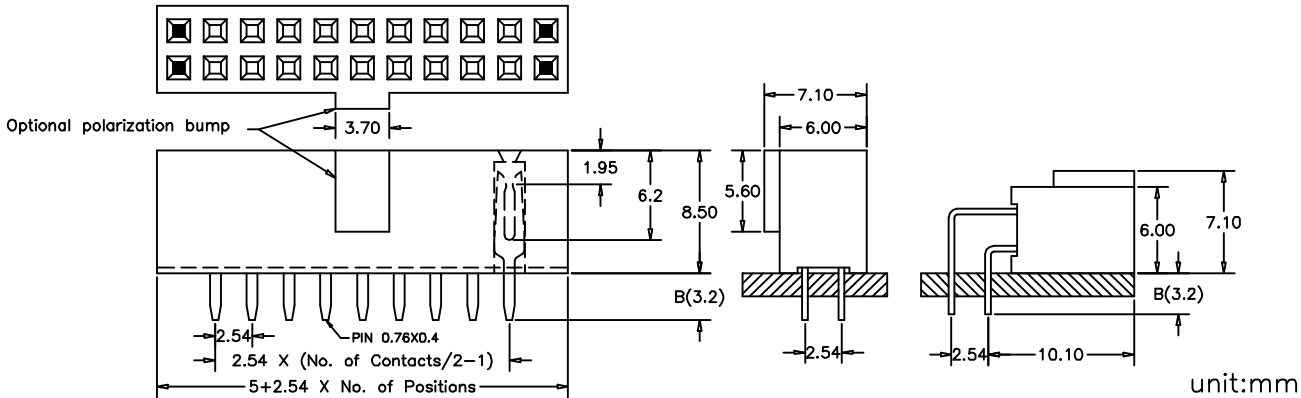
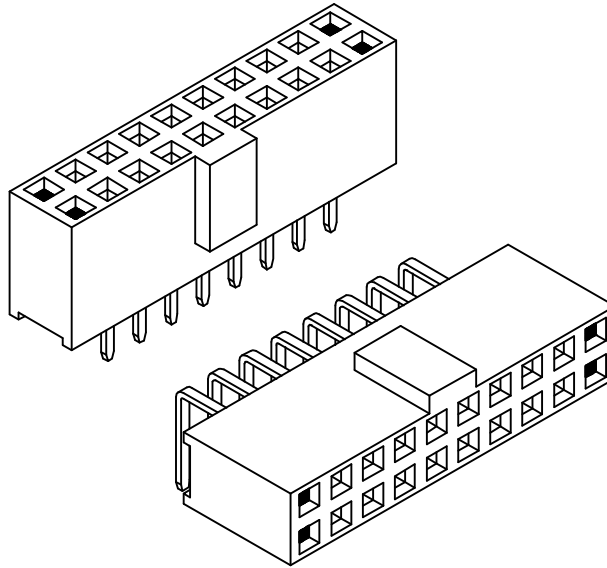
Current Rating: 3 Amps  
 Insulator resistance: 5000 Megohms min.  
 Contact resistance: 20 m ohms max.  
 Dielectric withstanding: AC 1000 V  
 Operating Temperature: -40~+105°C  
 Contact Material: Phosphor bronze  
 Insulator Material: Polyester, UL 94V-0  
 ©Standard: P.B.T

Finish: Tin, Gold or Duplex plated

©Standard: Gold flash all over

©Note:

Duplex plating: gold plated on contact area,  
 Tin on solder area



### How to order

Please replace "X" with appropriate coding listed in the tables below

OLD P/N / NEW P/N

(BPHF2)

B P H F Z

X X X

X

B

X

0:W/O Polarization Bump  
 1:With Polarization Bump

#### Number of Contacts

No. of contact = Code
06,08,10,14,16,20,24,26,30,34,40,44,48,50,60,64,

#### Connector Type

Definition	Code
Straight	S
Right Angle	R

#### Contact Plating

Definition	Code
© Tin plated:	A
© Gold plated:	
flash B 15μ"	F
10μ"	E 30μ"
©Duplex plating:	
flash K 15μ"	P
10μ"	N 30μ"
©Standard: B	

#### Pin Length mm

S-B	R-B
3.20	3.20
© Standard: 3.2	

