

FFC Connector

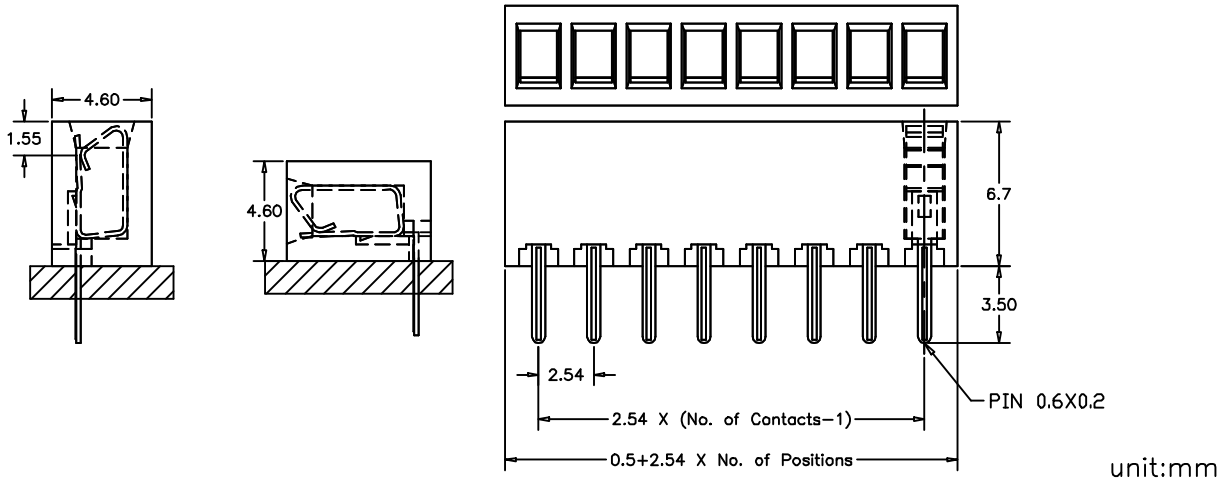
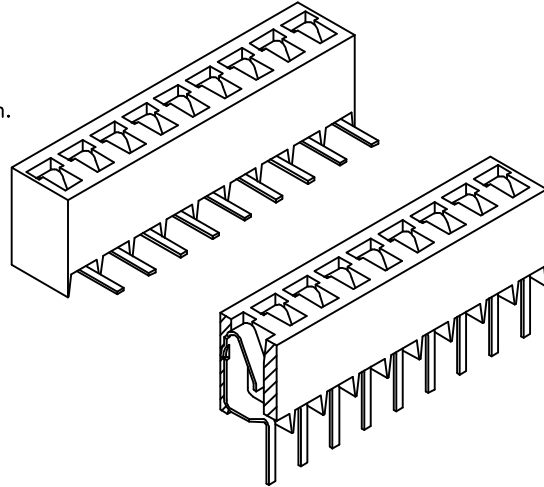
For 2.54mm Flat Cable with Round Solid

APPLICATION AND FEATURES

1. Compact and low profile design for saving space.
2. High reliable contact with low insertion force.
3. Straight and right angle type facilitate engineering design.
4. Mate with Flexible Flat Cable.

SPECIFICATIONS

Current Rating: 3 Amps
 Insulator resistance: 5000 Megohms min.
 Contact resistance: 20 m ohms max.
 Dielectric withstanding: AC 500 V
 Operating Temperature: -40~+105°C
 Contact Material: Phosphor Bronze
 Insulator Material: Polyester, UL 94V-0
 ©Standard: P.B.T
 Finish: Tin plated



How to order

Please replace "X" with appropriate coding listed in the tables below

OLD P/N / NEW P/N

(FFC) **F F C** - **X X X** - **X** - **X**

Number of Contacts

No. of contact = Code
04 to 31 Contacts

Connector Type

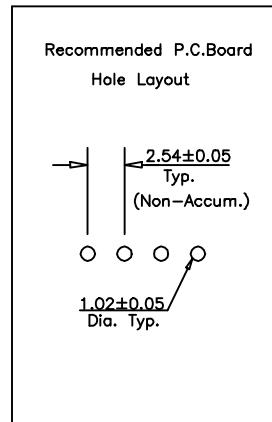
Definition	Code
Straight	S
Right Angle	R

Contact Plating

Definition	Code
© Tin plated:	A

Pin Length mm

S:3.50
R:3.50



APTOS Technology - (831)-688-0881