

0.1" (2.54mm) I.D.C Male Connector With Latch For 0.05" (1.27mm) Center Flat Ribbon Cable

APPLICATION AND FEATURES

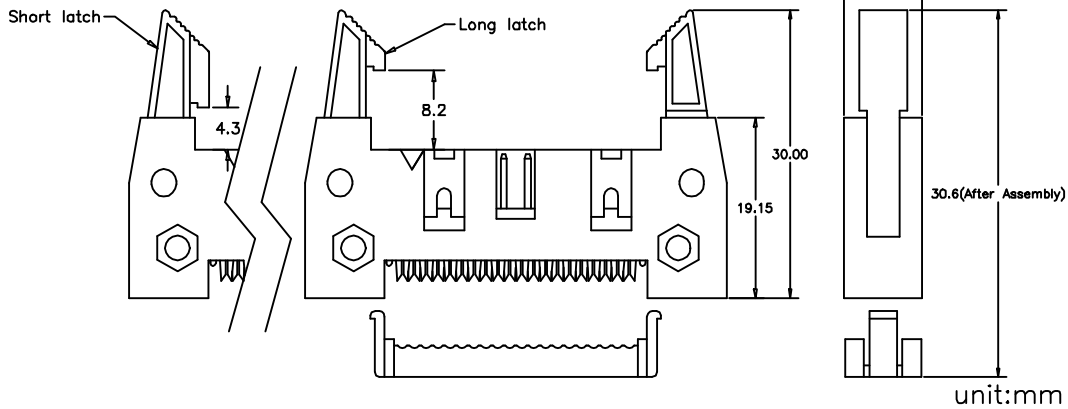
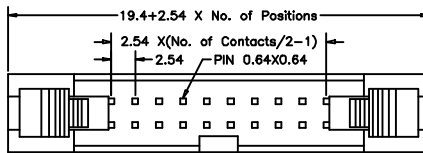
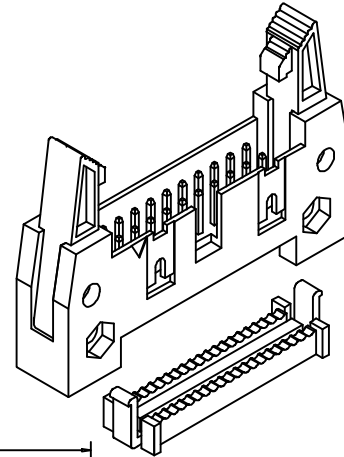
1. Connector is designed for mate with female socket transition connector.
2. Used primarily for in-line cable splice and "T" tap applications.
3. FHE- header have an eject feature that provides a quick release for receptacles.

SPECIFICATIONS

Current Rating: 3 Amps
 Insulator resistance: 5000 Megohms min.
 Dielectric withstanding: AC 1000 V
 Operating Temperature: -40~+105°C
 Contact Material: Bronze
 Insulator Material: Polyester, UL 94V-0
 © Standard: P.B.T

Finish: Duplex plated
 © Standard: Duplex plating
 © Note:

Duplex plating: gold plated on contact area,
 Tin on solder area



How to order

Please replace "X" with appropriate coding listed in the tables below

OLD P/N / NEW P/N

(FHE)

F H E - X X - X - X

L: Long latch
 N: Short latch

Number of Contacts

No. of contact = Code	
10	30
14	34
16	40
20	50
24	60
26	64

Contact Plating

Definition	Code
© Duplex plating:	
flash	K

APTOS Technology - (831)-688-0881