

I.D.C Male Connector Without Latch

For 0.05" (1.27mm) Center Flat Ribbon Cable

APPLICATION AND FEATURES

1. Connector is designed for mate with female socket transition connector.
2. Used primarily for in-line cable splice and "T" tap applications.
3. Available with or without mounting ears.

SPECIFICATIONS

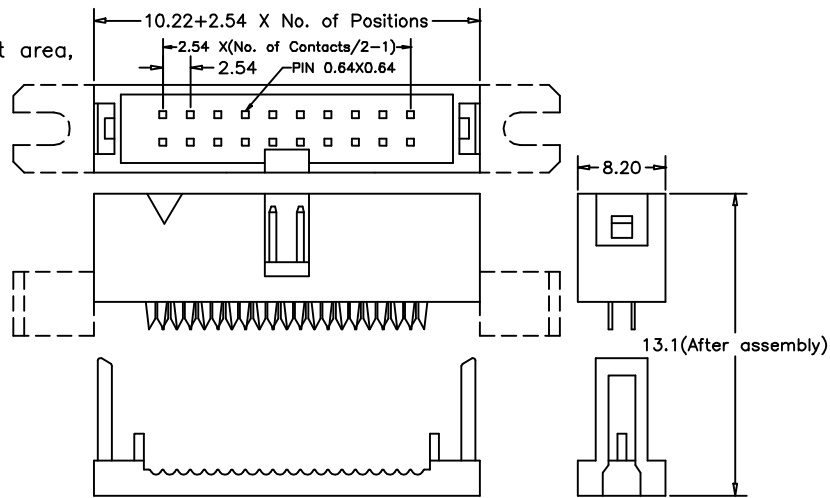
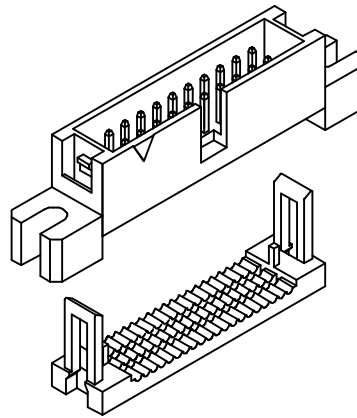
Current Rating: 3 Amps
 Insulator resistance: 5000 Megohms min.
 Dielectric withstanding: AC 1000 V
 Operating Temperature: -40°~+105°C
 Contact Material: Bronze
 Insulator Material: Polyester, UL 94V-0
 ©Standard: P.B.T

Finish: Tin, Gold or Duplex plated

©Standard: Duplex plating

©Note:

Duplex plating: gold plated on contact area,
 Tin on solder area



unit:mm

How to order

Please replace "X" with appropriate coding listed in the tables below

OLD P/N / NEW P/N

(FHS) **F H S - X X - X - X**

Number of Contacts

No. of contact = Code	
10	30
14	34
16	40
20	50
24	60
26	64

Contact Plating

Definition	Code
©Duplex plating:	
flash K	

Definition	Code
With ears	1
W/O ears	0

APTOS Technology - (831)-688-0881