

I.D.C Transition Dip Plug Connector

For Flat Ribbon Cable "Pitch 1.27mm"
Grid 2.54mm X 2.54mm(0.1" X 0.1")

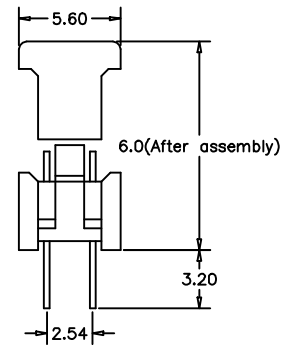
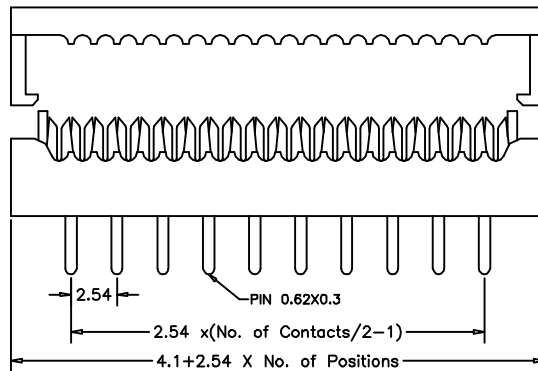
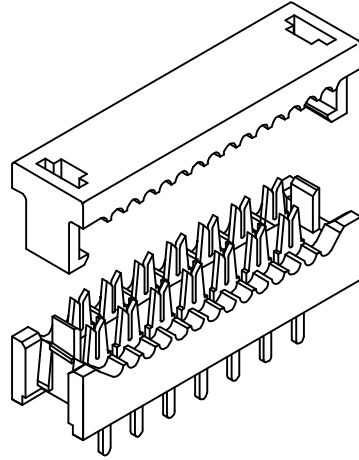
APPLICATION AND FEATURES

1. A low cost solution to attaching a ribbon cable to a P.C. Board.
2. Low-profile for saving space (6mm after assembly)
3. Available with straight dip solder tails 2.54X2.54mm
4. Is permanently soldered into P.C.Board with "header" Foot.

SPECIFICATIONS

Current Rating: 3Amps
 Insulator resistance: 5000 Megohms min.
 Contact resistance: 20 m ohms max.
 Dielectric withstanding: AC 500 V
 Operating Temperature: -40~+105°C
 Contact Material: Phosphor Bronze
 Insulator Material: Polyester,UL 94V-0
 ©Standard:P.B.T

Finish: Tin plated
 ©Standard: Tin plating



unit:mm

How to order

Please replace "X" with appropriate coding listed in the tables below

OLD P/N / NEW P/N

(FPN) **F P N - X X - X - 032**

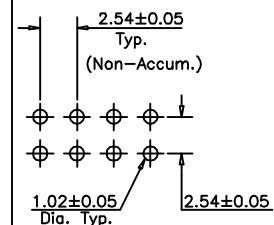
Number of Contacts

No. of contact = Code	
8	34
10	40
14	50
16	60
20	64
24	
26	

Contact Plating

Definition	Code
© Tin plated:	A

Recommended P.C.Board Hole Layout



APTOS Technology - (831)-688-0881