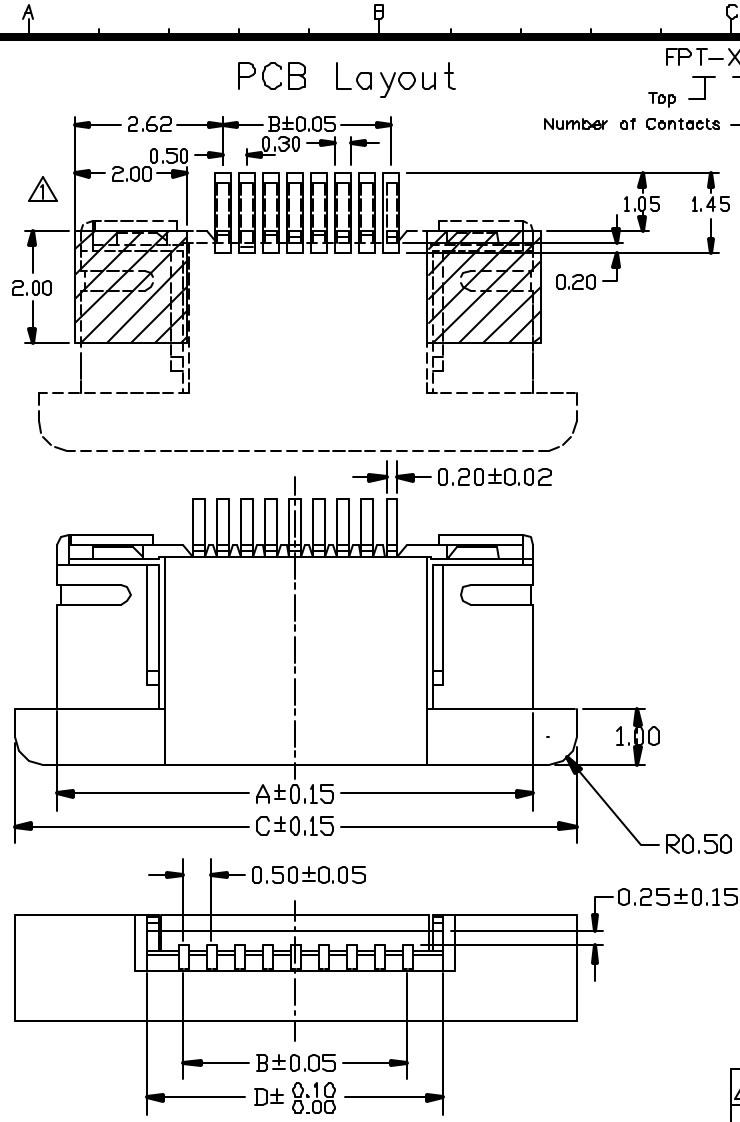


No. of Contacts	DIMENSIONS			
	A	B	C	D
4	8.00	1.50	7.50	2.70
5	8.90	2.00	8.00	3.20
6	7.00	2.50	8.50	3.70
7	7.80	3.00	8.00	4.20
8	8.00	3.50	9.50	4.70
9	8.00	4.00	10.00	5.20
10	9.00	4.50	10.50	5.70
11	9.00	5.00	11.00	6.20
12	10.00	5.50	11.50	6.70
13	10.50	6.00	12.00	7.20
14	11.00	6.50	12.50	7.70
15	11.50	7.00	13.00	8.20
16	12.00	7.50	13.50	8.70
17	12.50	8.00	14.00	9.20
18	13.00	8.50	14.50	9.70
19	13.50	9.00	15.00	10.20
20	14.00	9.50	15.50	10.70
21	14.50	10.00	16.00	11.20
22	15.00	10.50	16.50	11.70
23	15.50	11.00	17.00	12.20
24	16.00	11.50	17.50	12.70
25	16.50	12.00	18.00	13.20
26	17.00	12.50	18.50	13.70
27	17.50	13.00	19.00	14.20
28	18.00	13.50	19.50	14.70
29	18.50	14.00	20.00	15.20
30	19.00	14.50	20.50	15.70
31	19.50	15.00	21.00	16.20
32	20.00	15.50	21.50	16.70
33	20.50	16.00	22.00	17.20
34	21.00	16.50	22.50	17.70
35	21.50	17.00	23.00	18.20
36	22.00	17.50	23.50	18.70
37	22.50	18.00	24.00	19.20
38	23.00	18.50	24.50	19.70
39	23.50	19.00	25.00	20.20
40	24.00	19.50	25.50	20.70
41	24.50	20.00	26.00	21.20
42	25.00	20.50	26.50	21.70
43	25.50	21.00	27.00	22.20
44	26.00	21.50	27.50	22.70
45	26.50	22.00	28.00	23.20
46	27.00	22.50	28.50	23.70
47	27.50	23.00	29.00	24.20
48	28.00	23.50	29.50	24.70
49	28.50	24.00	30.00	25.20
50	28.00	24.50	30.50	25.70



FPT-XX-X
Top
Number of Contacts

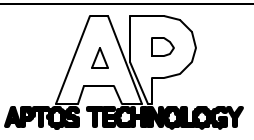
Definition	Code
◎Tin plating:	A

SPECIFICATIONS

Current Rating: 0.3 Amps
 Insulator resistance: 100 Megohms min.
 Contact resistance: 30 m ohm Max.
 Dielectric withstanding: AC 500 V
 Operating Temperature: -40° ~ +105°C
 Contact Material: Phosphor Bronze, CH5210-SH
 Grounding Fix: Brass, CH2680-SH
 Insulator Material: NYLON-9T,UL 94V-0
 Cover Material: PPS, UL 94V-0
 Finish: Tin plated

*Product specifications are subject to change without notice. Please contact sales office for further confirmation.

△	異状 LAYOUT	→	VERSION	更新内容	01-02-02'
△	新機	→	VERSION	更新内容	01-02-02'



GENERAL TOLERANCE	
XX. ±	XXX. ±
X. ±	.XXX ±
.X ±	.X. ±
.XX ±	.X. ±

SCALE	8=1
UNIT	MM
SIZE	A4

DRAWN	
CHECK	
APPROVE	

DATE	-02-02'
DATE	-02-02'
DATE	-02-02'

DWG. NO.	F:\DWG\CDDWG\FPT0A.DWG
PARTS NO.	FPT-XX-X

TITLE	FPT Series
-------	------------

REV.	1.1
SHEET	1/2