

I.D.C Transition Dip Plug Connector

For Flat Ribbon Cable "pitch 1.27mm"
Grid 2.54mm X 15.24mm (0.1" X 0.6")

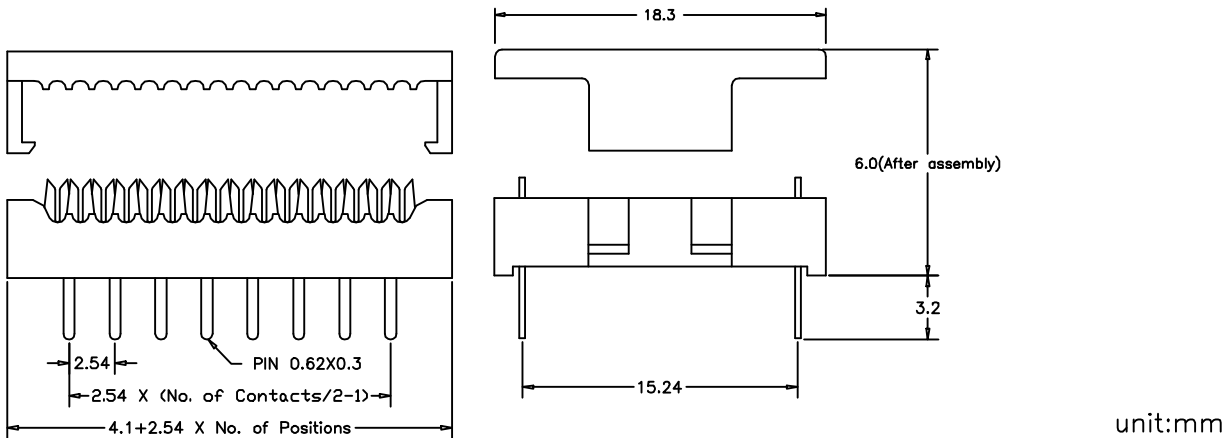
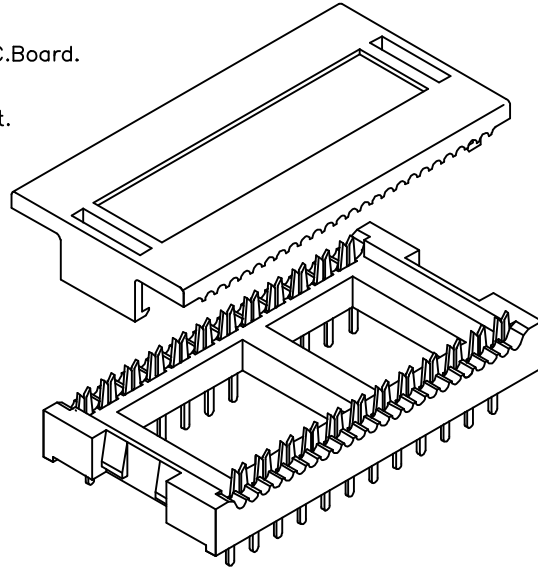
APPLICATION AND FEATURES

1. A low cost solution to attaching a ribbon cable to a P.C.Board.
2. Low profile for saving space(6mm After assembly).
3. Is permanently soldered into P.C.Board with "header" foot.

SPECIFICATIONS

Current Rating: 3 Amps
 Insulator resistance: 5000 Megohms min.
 Contact resistance: 20 m ohms max.
 Dielectric withstanding: AC 500 V
 Operating Temperature: -40°~+105°C
 Contact Material: Phosphor bronze
 Insulator Material: Polyester,UL 94V-0
 ©Standard:P.B.T

Finish: Tin plated
 ©Standard: Tin plating



unit:mm

How to order

Please replace "X" with appropriate coding listed in the tables below

OLD P/N / NEW P/N
 (FPW6) **F P W S - X X - X - 032**

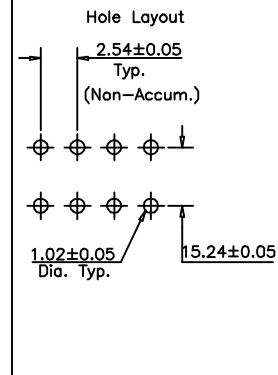
Number of Contacts

No. of contact = Code
24
28
32
40

Contact Plating

Definition	Code
© Tin plated:	A

Recommended P.C.Board



APTOS Technology - (831)-688-0881