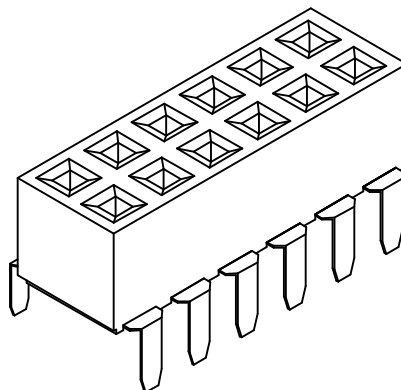


0.1" (2.54mm) Female Header

Dual Row 06 to 80 Contacts Dual Entry Type

APPLICATION AND FEATURES

1. Bottom entry low profile 5mm height.
2. Designed for parallel and vertical board stacking.
3. Dual-beam folded contact.
4. Standoffs facilitate post soldering clean.
5. Mate with 0.64 S.Q Pin Header.



SPECIFICATIONS

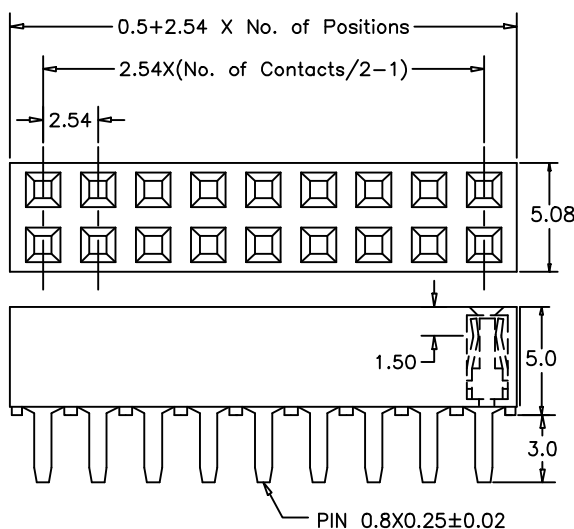
Current Rating: 3 Amps
 Insulator resistance: 5000 Megohms min.
 Contact resistance: 20 m ohms max.
 Dielectric withstanding: AC 1000 V
 Operating Temperature: -40~+105°C
 Contact Material: Phosphor Bronze
 Insulator Material: Polyester, UL 94V-0
 ©Standard: P.B.T

Finish: Tin, Gold or Duplex plated

©Standard: Gold flash all over

©Note:

Duplex plating: gold plated on contact area,
 Tin on solder area



unit:mm

How to order

Please replace "X" with appropriate coding listed in the tables below

OLD P/N / NEW P/N
 (PBFX) P B F X - X X - X -030

Pitch Type

Pitch	Code
3.81mm	W
5.08mm	F
7.62mm	G
©Standard: G	

Number of Contacts

No. of contact = Code
06 to 80 Contacts

Contact Plating

Definition	Code
© Tin plated:	A
© Gold plated:	
flash B 15μ"	F
10μ"	E 30μ"
©Duplex plating:	
flash K 15μ"	P
10μ"	N 30μ"
©Standard: B	

--

--

APTOS Technology - (831)-688-0881

