

Female Header Dual Entry Type

Single Row 03 to 30 Contacts

Dual Beam Folded Contacts

APPLICATION AND FEATURES

1. Dual entry low profile 5mm height.
2. Designed for parallel and vertical board stacking.
3. Dual-beam folded contact.
4. Standoffs facilitate post soldering clean.
5. Mate with 0.64 S.Q Pin Header.

SPECIFICATIONS

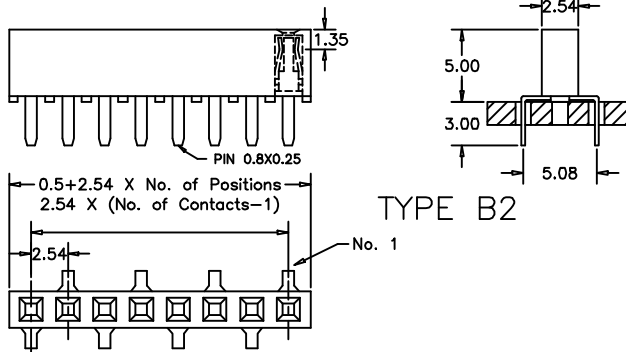
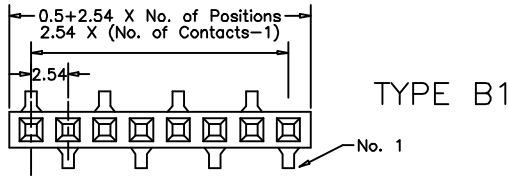
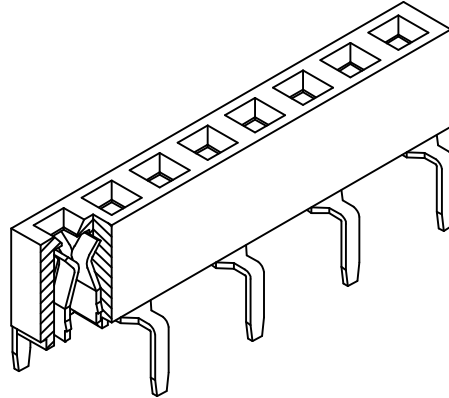
Current Rating: 3 Amps
 Insulator resistance: 5000 Megohms min.
 Contact resistance: 20 m ohms max.
 Dielectric withstanding: AC 1000 V
 Operating Temperature: -40°~+105°C
 Contact Material: Phosphor bronze
 Insulator Material: Polyester, UL 94V-0
 ©Standard: P.B.T

Finish: Tin, Gold or Duplex plated

©Standard: Gold flash all over

©Note:

Duplex plating: gold plated on contact area,
 Tin on solder area



unit:mm

How to order

Please replace "X" with appropriate coding listed in the tables below

OLD P/N / NEW P/N

(PBF1) P B F Y - X X X - X -030

Number of Contacts

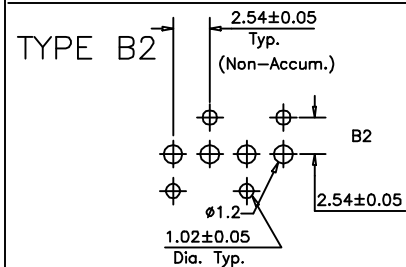
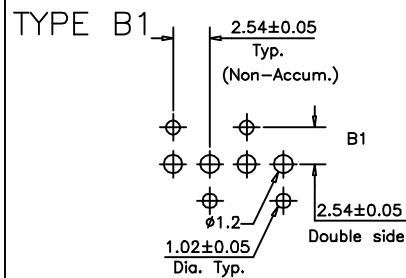
No. of contact = Code
03 to 30 Contacts

Connector Type

Definition	Code
Double side	B1
B1 & B2	B2

Contact Plating

Definition	Code
© Tin plated:	A
© Gold plated:	
flash B 15μ" F	
10μ" E 30μ" J	
©Duplex plating:	
flash K 15μ" P	
10μ" N 30μ" U	
©Standard: B	



APTOS Technology - (831)-688-0881