

.079" (2.0mm) Female Header Dual Entry Type Dual Row 06 to 80 Contacts

APPLICATION AND FEATURES

1. Dual entry low profile 4.3mm height.
2. Standoffs facilitate post soldering clean.
3. Mate with 2.0mm □0.5 pin header.

SPECIFICATIONS

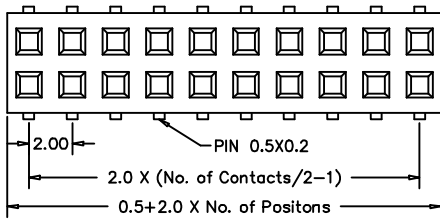
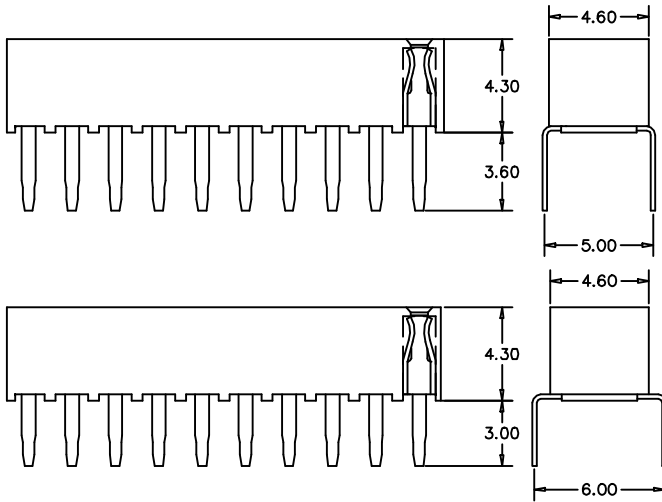
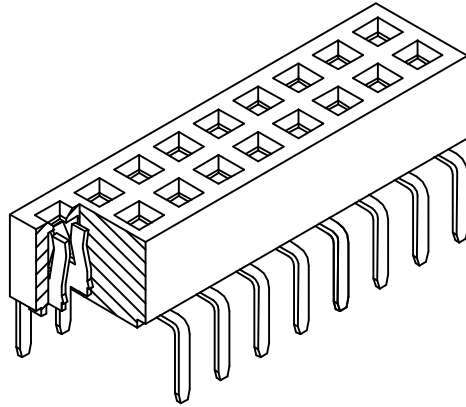
Current Rating: 1 Amp
 Insulator resistance: 5000 Megohms min.
 Contact resistance: 20 m ohms max.
 Dielectric withstanding: AC 500 V
 Operating Temperature: -40°~+105°C
 Contact Material: Phosphor Bronze
 Insulator Material: Polyester, UL 94V-0
 ©Standard: Nylon-6T

Finish: Tin, Gold or Duplex plated

©Standard: Gold flash all over

©Note:

Duplex plating: gold plated on contact area,
Tin on solder area



unit:mm

How to order

Please replace "X" with appropriate coding listed in the tables below

OLD P/N / NEW P/N
 (PBTX) P B T X - X X - X - B

Pin Length mm

PBTF	PBTS
036	030

Pitch Type

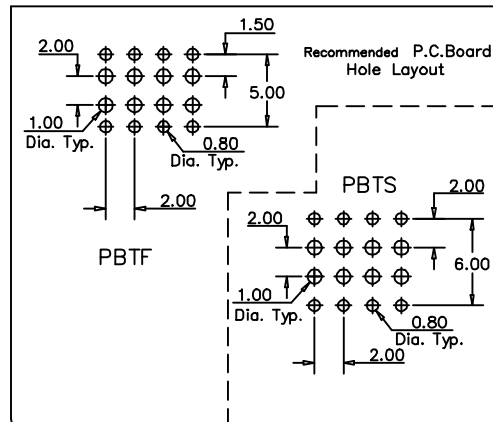
Pitch	Code
5.00mm	F
6.00mm	S
©Standard: 5.00mm	

Number of Contacts

No. of contact = Code
06 to 80 Contacts

Contact Plating

Definition	Code
© Tin plated:	A
© Gold plated:	
flash B 15μ"	F
10μ" E 30μ"	J
©Duplex plating:	
flash K 15μ"	P
10μ" N 30μ"	U
©Standard: B	



APTOS Technology - (831)-688-0881