

# Female Header, Side Entry Type

## Single Row 03 ~ 40 Contacts

### 0.1" X 0.31" (2.54mm X 7.87mm) Pitch

#### APPLICATION AND FEATURES

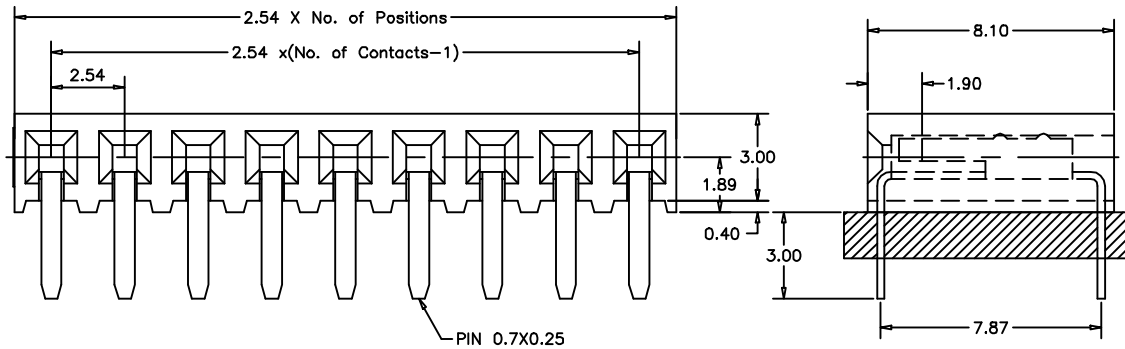
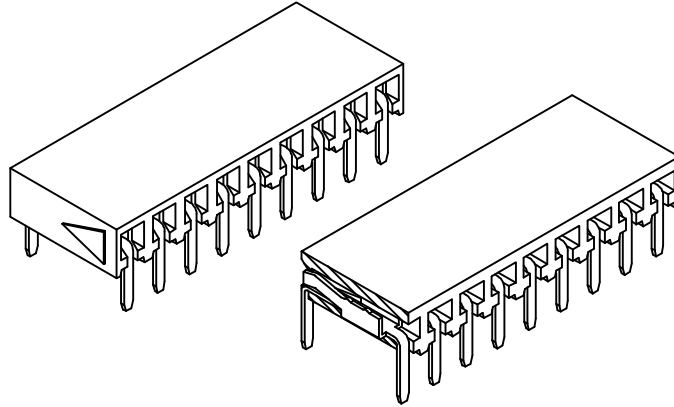
1. High reliable dual-beam phospher bronze contact.
2. Designed for Right-Angle P.C.Board mounting.
3. Mated with 0.64 S.Q Pin header.

#### SPECIFICATIONS

Current Rating: 3 Amps  
 Insulator resistance: 5000 Megohms min.  
 Contact resistance: 20 m ohm max.  
 Dielectric withstanding: AC 1000 V  
 Operating Temperature: -40°~+105°C  
 Contact Material: Phosphor Bronze  
 Insulator Material: Polyester, UL 94V-0  
 ©Standard: P.B.T

Finish: Tin, Gold plated

©Standard: Gold flash all over



unit:mm

#### How to order

Please replace "X" with appropriate coding listed in the tables below

OLD P/N / NEW P/N

(PCF1) P C F Y - X X X - X - 030 - M

#### Number of Contacts

No. of contact = Code
03 to 40 Contacts

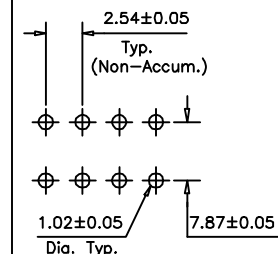
#### Connector Type

Definition	Code
Right Angle	R

#### Contact Plating

Definition	Code
© Tin plated:	A
© Gold plated:	
flash B 15μ" F	
10μ" E 30μ" J	
©Standard: B	

#### Recommended P.C.Board Hole Layout



APTOS Technology - (831)-688-0881