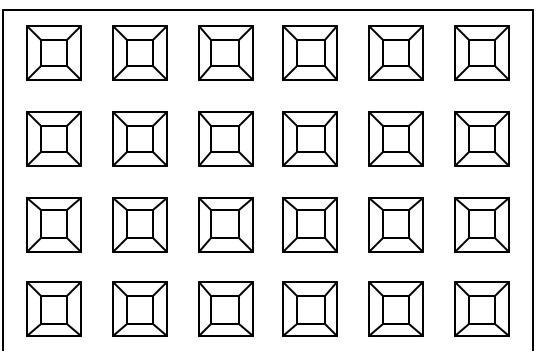


No. of Contacts	DIMENSIONS	
	A	B
12	5.08	8.12
16	7.62	10.66
20	10.16	13.20
24	12.70	15.74
28	15.24	18.28
32	17.78	20.82
36	20.32	23.36
40	22.86	25.90
44	25.40	28.44
48	27.94	30.98
52	30.48	33.52
56	33.02	36.06
60	35.56	38.60
64	38.10	41.14
68	40.64	43.68
72	43.18	46.22
76	45.72	48.76
80	48.26	51.30
84	50.80	53.84
88	53.34	56.38
92	55.88	58.92
96	58.42	61.46

PDFQ-XXS-X-028

Number of Contacts Straight | Pin Length mm | Contact Plating

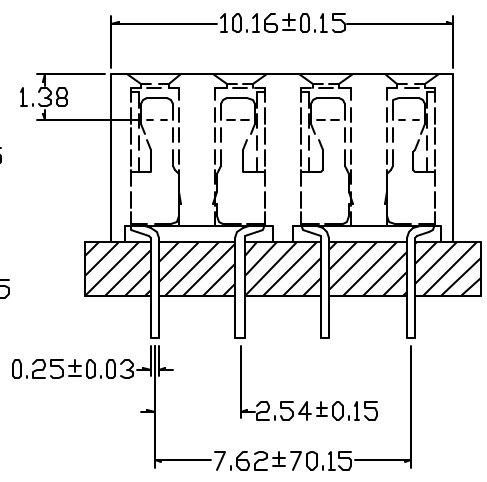
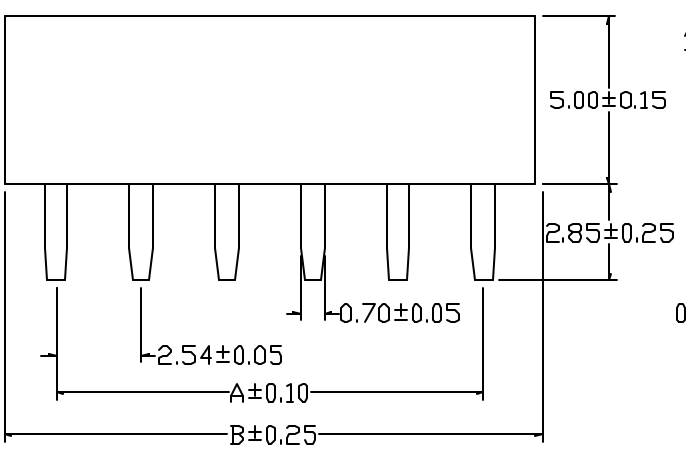


Definition	Code
⊙ Tin plated:	A
⊙ Gold plated:	
flash B 15μ" F	
10μ" E 30μ" J	
⊙ Duplex plating:	
flash K 15μ" P	
10μ" N 30μ" U	
⊙ Standard:	B

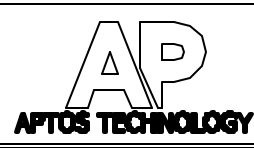
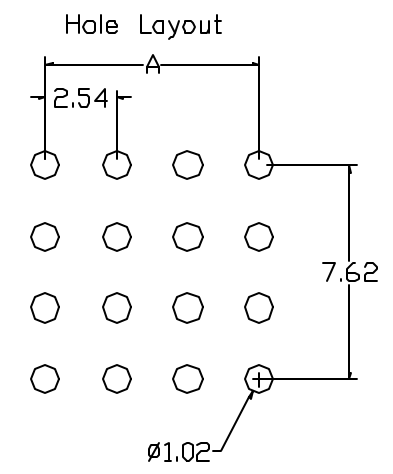
SPECIFICATIONS

Current Rating: 3 Amps
 Insulator resistance: 5000 Megohms Min
 Dielectric withstanding: AC 500 V
 Operating Temperature: -40~+105°C
 Contact Material: Copper alloy
 Insulator Material: Polyester, UL 94V-0
 ⊙ Standard: P.B.T
 Finish Tin, Gold or Duplex plated
 ⊙ Standard Gold flash all over
 ⊙ Note:
 Duplex plating: gold plated on contact area,
 Tin on solder area

*Product specifications are subject to change without notice. Please contact sales office for further confirmation.



Recommended P.C.Board



GENERAL TOLERANCE		SCALE 4=1	DRAWN	DATE -03-02'	DWG. NO.	TITLE	REV.
XX. ±	XXX. ±	UNIT MM	CHECK	DATE -03-02'	F:\DWG\CDWG\PDF\PDFQ0A	PDFQ Series	1.0
X. ±	.XXX ±						SHEET
.X ±	X. ±	SIZE A4	APPROVE	DATE -03-02'	PDFQ-XXS-X-028		1/2
.XX ±	.X ±						