

0.1" (2.54mm) Header Low Profile: 5mm

Single Row 03 to 40 Contacts

Dual Beam Folded Contacts

APPLICATION AND FEATURES

1. Low profile 5mm height.
2. Designed for parallel and vertical board stacking.
3. Dual-beam folded contact.
4. Standoffs facilitate post soldering clean.
5. Mated with 0.64 S.Q Pin header.

SPECIFICATIONS

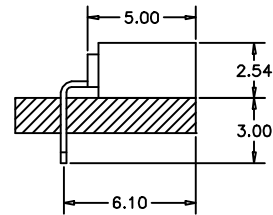
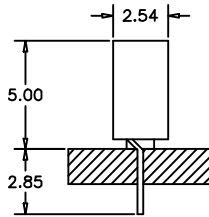
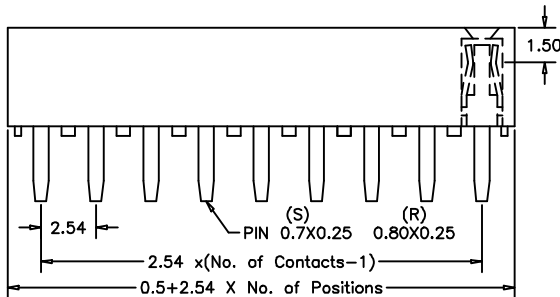
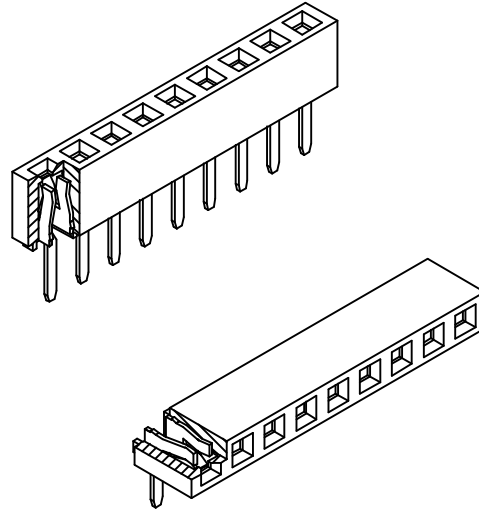
Current Rating: 3 Amps
 Insulator resistance: 5000 Megohms min.
 Contact resistance: 20 m ohms max.
 Dielectric withstanding: AC 1000 V
 Operating Temperature: -40° - +105°C
 Contact Material: Phosphor bronze
 Insulator Material: Polyester, UL 94V-0
 ©Standard: P.B.T

Finish: Tin, Gold or Duplex plated

©Standard: Gold flash all over

©Note:

Duplex plating: gold plated on contact area,
 Tin on solder area



unit:mm

How to order

Please replace "X" with appropriate coding listed in the tables below

OLD P/N / NEW P/N

(PDF1) P D F Y - X X X - X - B

Number of Contacts

No. of contact = Code
03 to 40 Contacts

Connector Type

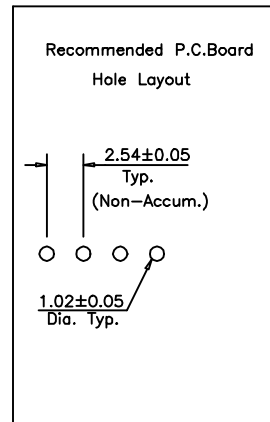
Definition	Code
Straight	S
Right Angle	R

Contact Plating

Definition	Code
© Tin plated:	A
© Gold plated:	
flash B 15µ"	F
10µ"	E 30µ"
© Duplex plating:	
flash K 15µ"	P
10µ"	N 30µ"
©Standard: B	

Pin length mm

S-B	S-R
2.85	3.00
© Standard: S:2.85/R3.00	



APTOS Technology - (831)-688-0881