

# .079"(2.0mm) Female Header Profile:4.0mm Straight Dual Row, Close bottom 6 to 80 Contacts

## APPLICATION AND FEATURES

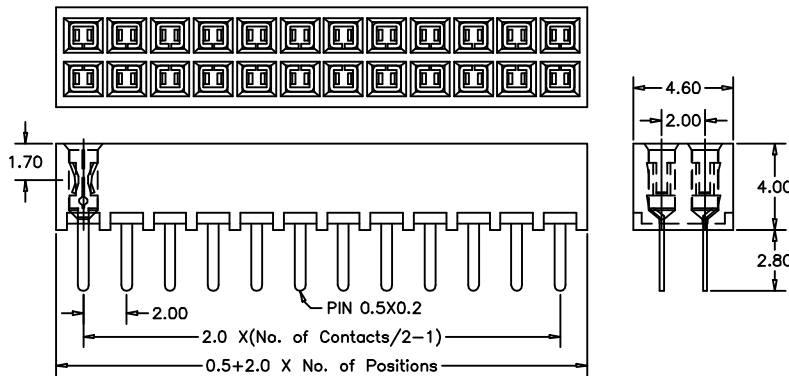
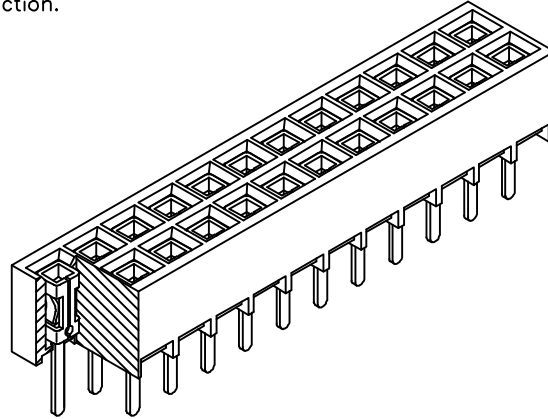
1. Low profile: 4.0mm height.
2. Designed for board to board small spacing interconnection.
3. Mating with 2.0mm pitch 0.5mm Pin Headers.

## SPECIFICATIONS

Current Rating: 1 Amp  
 Insulator resistance: 5000 Megohms min.  
 Contact resistance: 20 m ohms max.  
 Dielectric withstanding: AC 500 V  
 Operating Temperature: -40°~+105°C  
 Max Processing Temp: 230° for 30 seconds  
 Contact Material: Phosphor Bronze.  
 Insulator Material: Polyester,UL 94V-0  
 ©Standard: Nylon-6T

Finish: Gold plated

©Standard: Gold flash all over



unit:mm

## How to order

Please replace "X" with appropriate coding listed in the tables below

OLD P/N / NEW P/N  
 (PFT2) P F T Z - X X - X - 028

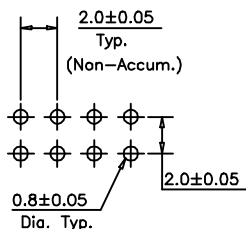
### Number of Contacts

No. of contact = Code
06 ot 80 Contacts

### Contact Plating

Definition	Code
© Gold plated:	
flash	B
©Standard: B	

### Recommended P.C.Board Hole Layout



APTOS Technology - (831)-688-0881