

0.1" (2.54mm) Female Header

Single Row 03 to 40 Contacts Profile: 7.1mm
High Quality Dual Beam Folded Contacts

APPLICATION AND FEATURES

1. For profile application 7.1mm high.
2. Accept 0.64mm square pin .
3. Mated with P.C. board connector.

SPECIFICATIONS

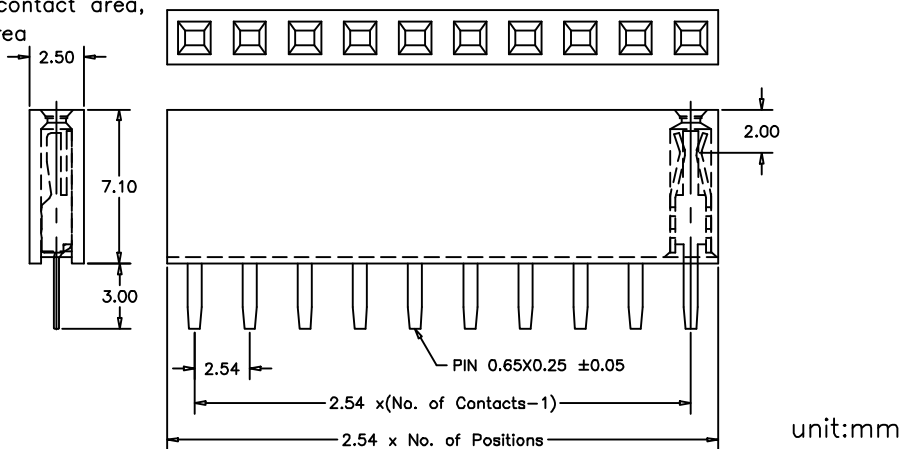
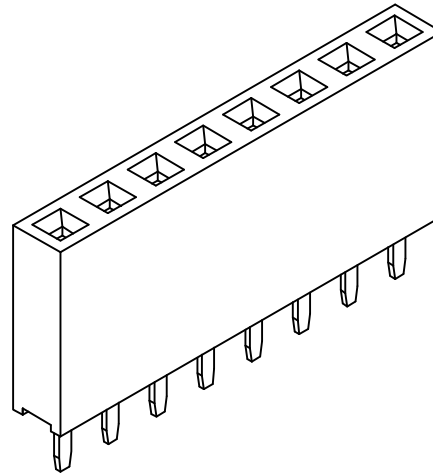
Current Rating: 3 Amps
 Insulator resistance: 5000 Megohms min.
 Contact resistance: 20 m ohms max.
 Dielectric withstanding: AC 1000 V
 Operating Temperature: -40°~+105°C
 Max Processing Temp: 230° for 30 seconds
 Contact Material: Phosphor bronze
 Insulator Material: Polyester, UL 94V-0
 ©Standard: Nylon-6T

Finish: Tin, Gold or Duplex plated

©Standard: Gold flash all over

©Note:

Duplex plating: gold plated on contact area,
Tin on solder area



How to order

Please replace "X" with appropriate coding listed in the tables below

OLD P/N / NEW P/N
 (PGF1) P G F Y - X X S - X -030

Number of Contacts

No. of contact = Code
03 to 40 Contacts

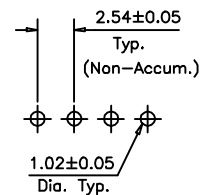
Connector Type

Definition	Code
Straight	S

Contact Plating

Definition	Code
© Tin plated:	A
© Gold plated:	
flash B 15μ"	F
10μ"	E 30μ"
© Duplex plating:	
flash K 15μ"	P
10μ"	N 30μ"
©Standard: B	

Recommended P.C.Board Hole Layout



APTOS Technology - (831)-688-0881