

# 0.1" (2.54mm) Female Header

## Low Profile: 3.5mm

### APPLICATION AND FEATURES

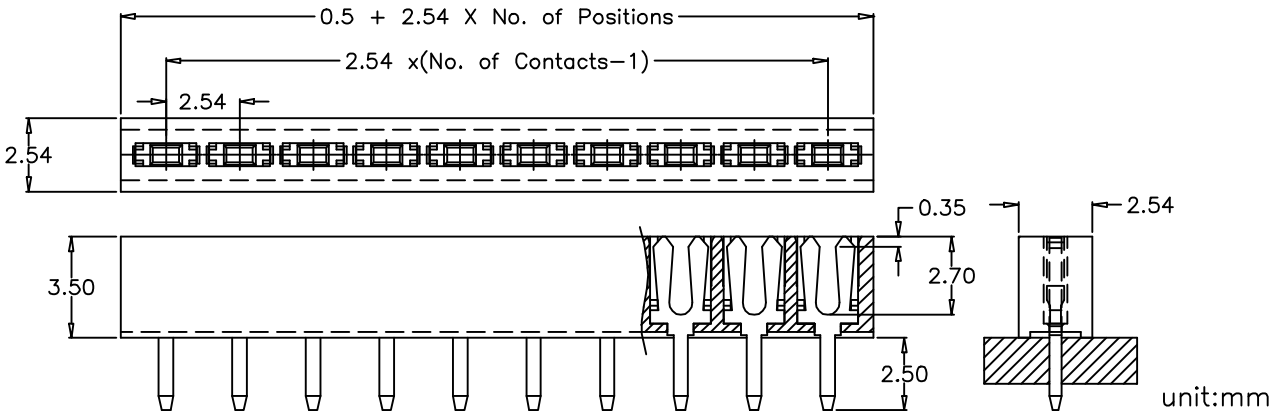
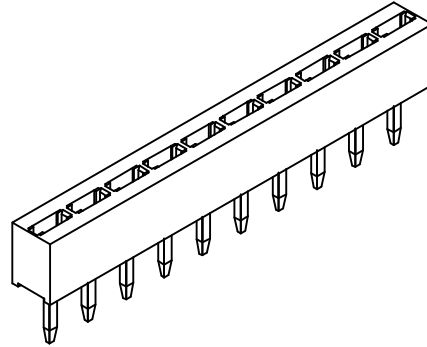
1. Low profile application 3.5mm height
2. accept 0.64 square pin header.

### SPECIFICATIONS

Current Rating: 3 Amps  
 Insulator resistance: 5000 Megohms min.  
 Contacts resistance: 20 m ohms max.  
 Dielectric withstanding: AC 1000 V  
 Operating Temperature: -40°~+105°C  
 Contact Material: Phosphor Bronze  
 Insulator Material: Polyester, UL 94V-0  
 ©Standard: P.P.S

Finish: Gold plated

©Standard: Gold flash all over



### How to order

Please replace "X" with appropriate coding listed in the tables below

OLD P/N / NEW P/N

(PHA) PHA - XX - X - 025

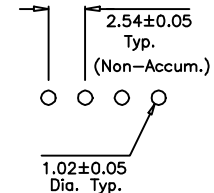
#### Number of Contacts

No. of contact = Code
03 to 22 Contacts
Dual Row & Other Contacts Upon Request

#### Contact Plating

Definition	Code
© Gold plated:	
flash B	15μ" F
10μ" E	30μ" J
©Standard: B	

#### Recommended P.C.Board Hole Layout



APTOS Technology - (831)-688-0881