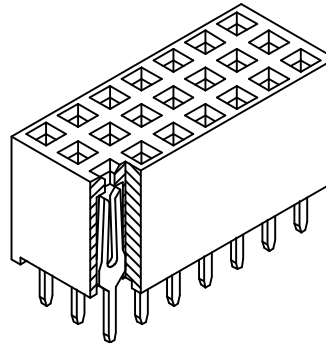


# 0.1"(2.54mm) Female Header Standard Profile:8.5mm Triple Row 09 to 96 Contacts

## APPLICATION AND FEATURES

1. For standard profile application 8.5mm high.
2. Accept 0.64mm square pin header.
3. Tuning-fork type contacts designed for low cost.



## SPECIFICATIONS

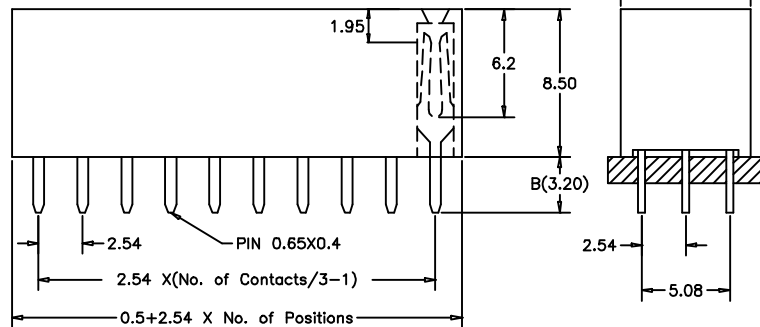
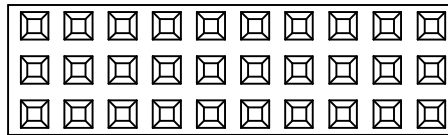
Current Rating: 3 Amps  
 Insulator resistance: 5000 Megohms min.  
 Contact resistance: 20 m ohms max.  
 Dielectric withstanding: AC 1000 V  
 Operating Temperature: -40~+105°C  
 Contact Material: Phosphor bronze  
 Insulator Material: Polyester, UL 94V-0  
 ©Standard: P.B.T

Finish: Tin, Gold or Duplex plated

©Standard: Gold flash all over

©Note:

Duplex plating: gold plated on contact area,  
 Tin on solder area



unit:mm

## How to order

Please replace "X" with appropriate coding listed in the tables below

OLD P/N / NEW P/N  
 (PHF3) PHFW - XXS - X -032

### Number of Contacts

No. of contact = Code
09 to 96 Contacts

### Connector Type

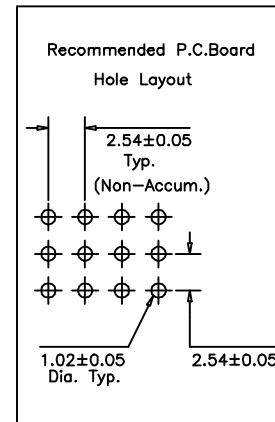
Definition	Code
Straight	S

### Contact Plating

Definition	Code
© Tin plated:	A
© Gold plated:	
flash B 15μ"	F
10μ" E 30μ"	J
©Duplex plating:	
flash K 15μ"	P
10μ" N 30μ"	U
©Standard: B	

### Pin Length mm

--



APTOS Technology - (831)-688-0881