

# Female Header Standard Profile:8.5mm Single Row 03 to 40 Contacts

## APPLICATION AND FEATURES

1. For standard profile application 8.5mm high.
2. Accepts 0.64mm square pin.
3. Tuning-fork type contacts designed for low cost.

## SPECIFICATIONS

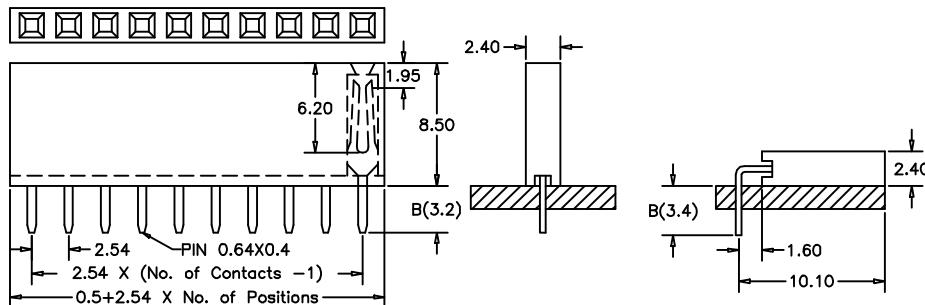
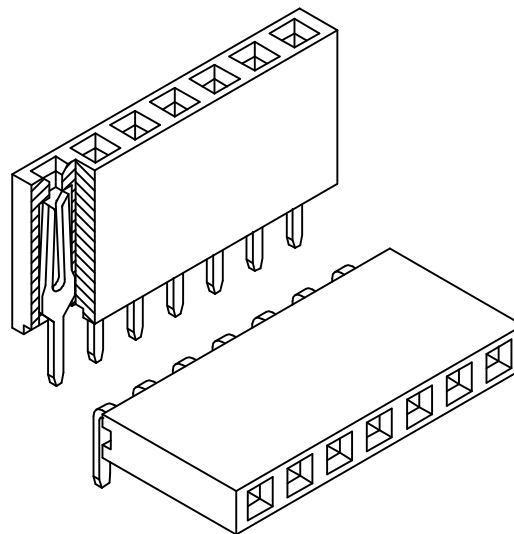
Current Rating: 3 Amps  
 Insulator resistance: 5000 Megohms min.  
 Contact resistance: 20 m ohms max.  
 Dielectric withstanding: AC 1000 V  
 Operating Temperature: -40~+105°C  
 Contact Material: Phosphor Bronze.  
 Insulator Material: Polyester,UL 94V-0  
 ©Standard:P.B.T

Finish: Tin,Gold or Duplex plated

©Standard: Gold flash all over

©Note:

Duplex plating: gold plated on contact area,  
 Tin on solder area



unit:mm

## How to order

Please replace "X" with appropriate coding listed in the tables below

OLD P/N / NEW P/N  
 (PHF1) P H F Y - X X X - X - B

### Number of Contacts

No. of contact = Code
03 to 40 Contacts

### Connector Type

Definition	Code
Straight	S
Right Angle	R

### Contact Plating

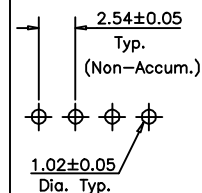
Definition	Code
© Tin plated:	A
© Gold plated:	
flash B 15μ"	F
10μ"	E 30μ"
©Duplex plating:	
flash K 15μ"	P
10μ"	N 30μ"
©Standard: B	

### Pin Length mm

S-B	R-B
3.20	3.40

© Standard: S3.2/R3.4

Recommended P.C.Board  
 Hole Layout



APTOS Technology - (831)-688-0881