

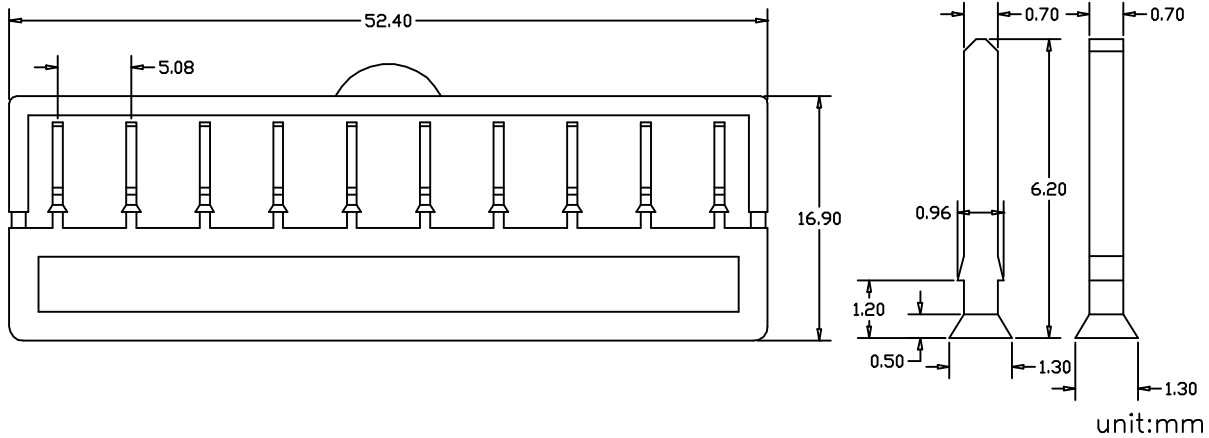
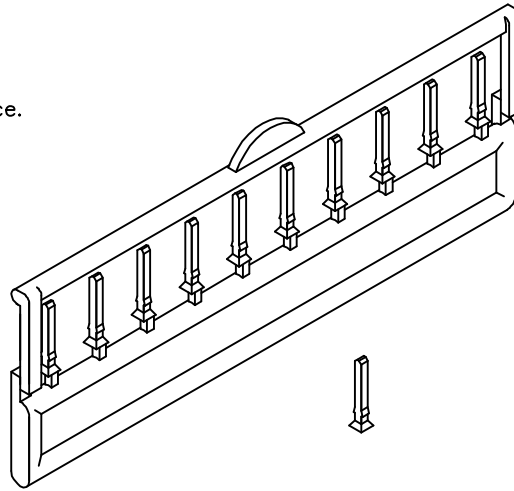
# Polarization Key

## APPLICATION AND FEATURES

1. Plug into pitch 2.54 mm center, 0.64 square pin receptacle contact.
2. Packaged in strips of 10 units for ease of handling.
3. Push Key until key top is flush with housing front face.

## SPECIFICATIONS

Operating Temperature:  $-40^{\circ}\sim+105^{\circ}\text{C}$   
Insulator Material: Polyester, UL 94V-0



## How to order

Please replace "X" with appropriate coding listed in the tables below

OLD P/N / NEW P/N  
(PHK) 

P	H	K
---	---	---

 - 

1	0
---	---