

0.1" (2.54mm) Female Header

Dual Row 06 to 80 Contacts Low Profile: 5.7mm

APPLICATION AND FEATURES

1. For low profile application 5.7mm high.
2. Accept 0.64mm square pin .
3. Tuning-fork type contacts designed for low cost.

SPECIFICATIONS

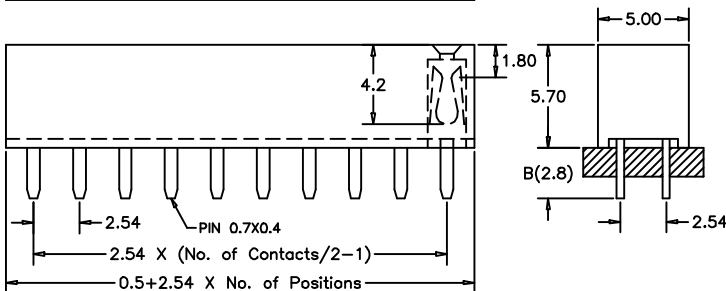
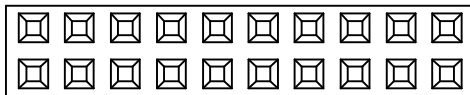
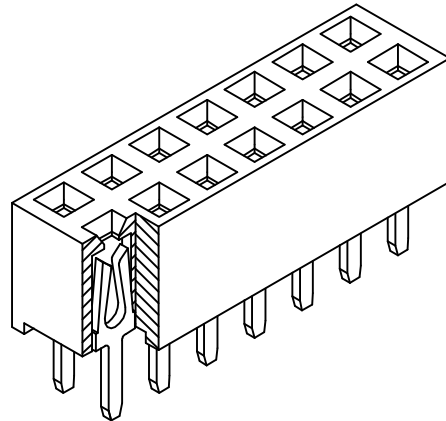
Current Rating: 3 Amps
 Insulator resistance: 5000 Megohms min.
 Contact resistance: 20 m ohms max.
 Dielectric withstanding: AC 1000 V
 Operating Temperature: -40°~+105°C
 Contact Material: Phosphor Bronze.
 Insulator Material: Polyester, UL 94V-0
 ©Standard: P.B.T

Finish: Tin, Gold or Duplex plated

©Standard: Gold flash all over

©Note:

Duplex plating: gold plated on contact area,
 Tin on solder area



unit:mm

How to order

Please replace "X" with appropriate coding listed in the tables below

OLD P/N / NEW P/N
 (PMF2) P M F Z - X X X - X -028

Number of Contacts

No. of contact = Code
06 to 80 Contacts

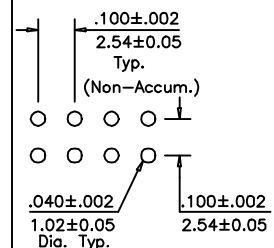
Connector Type

Definition	Code
Straight	S

Contact Plating

Definition	Code
© Tin plated:	A
© Gold plated:	
flash B 15μ"	F
10μ"	E 30μ"
© Duplex plating:	
flash K 15μ"	P
10μ"	N 30μ"
©Standard: B	

Recommended P.C.Board Hole Layout



APTOS Technology - (831)-688-0881