

0.05" (1.27mm) Female Header Profile: 8.5mm Single Row 03 to 36 Contacts

APPLICATION AND FEATURES

1. High density 1.27mm pitch is suitable for devices which require small and light internal parts.
2. High durability contact structure provides normal insertion force after repeated cycles.
3. Mates with 1.27mm pitch and 0.46mm square pin header

SPECIFICATIONS

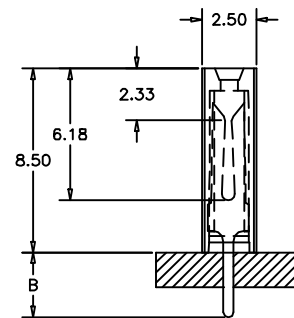
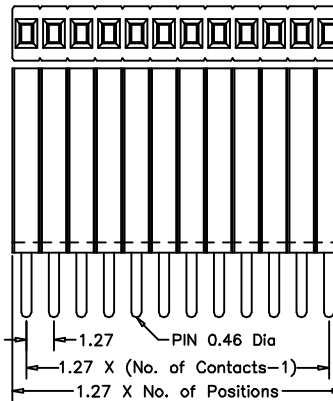
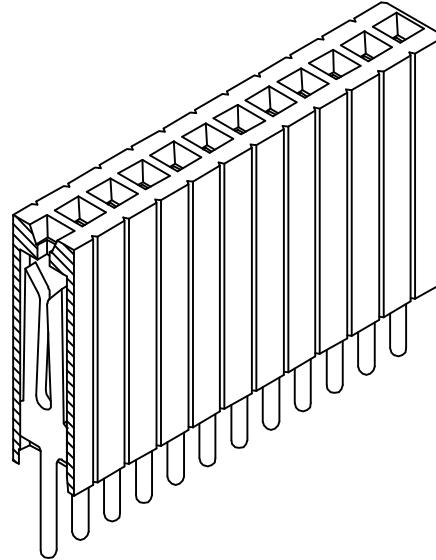
Current Rating: 1 Amp
 Insulator resistance: 5000 Megohms min.
 Contact resistance: 20 m ohms max.
 Dielectric withstanding: AC 500 V
 Operating Temperature: -40°~+105°C
 Max Processing Temp: 230° for 30 seconds
 Contact Material: phosphor bronze
 Insulator Material: Polyester, UL 94V-0
 ©Standard: Nylon-6T

Finish: Tin, Gold or Duplex plated

©Standard: Gold flash all over

©Note:

Duplex plating: gold plated on contact area,
Tin on solder area



unit:mm

How to order

Please replace "X" with appropriate coding listed in the tables below

OLD P/N / NEW P/N
 (PRF1) **P R F Y - X X - X - B**

Number of Contacts

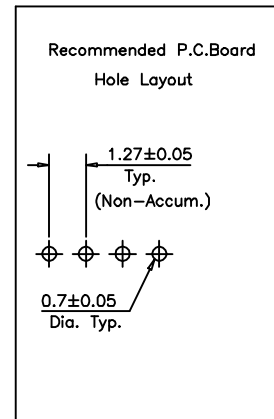
No. of contact = Code
03 to 36 Contacts

Contact Plating

Definition	Code
© Tin plated:	A
© Gold plated:	
flash B 15μ"	F
10μ" E 30μ"	J
© Duplex plating:	
flash K 15μ"	P
10μ" N 30μ"	U
©Standard: B	

Pin Length mm

B
2.2mm
2.7mm
3.0mm
© Standard: 2.7mm



APTOS Technology - (831)-688-0881