

# 0.05" (1.27mm) Female Header

## Single Row 03 to 40 Contacts Profile: 4.6mm

### APPLICATION AND FEATURES

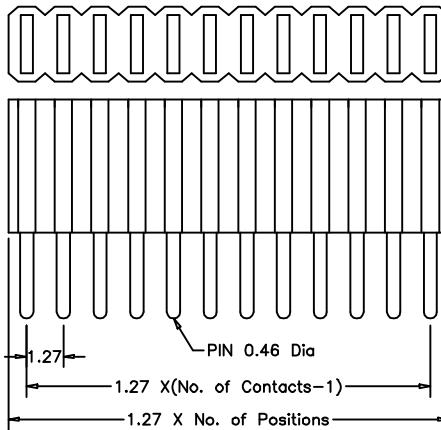
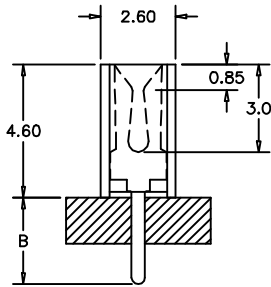
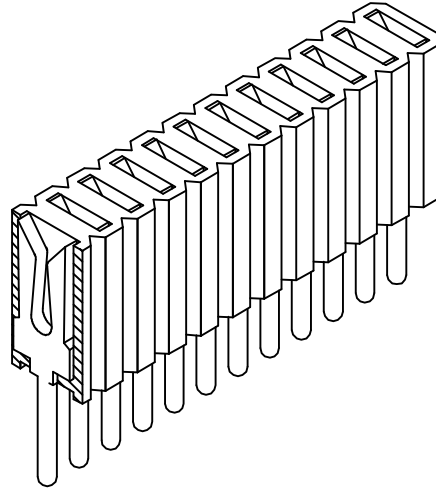
1. Low profile and High density is suitable for devices which require small and light internal parts.
2. High reliability contact structure provides normal insertion force after repeated cycles.
3. Mate with 1.27mm pitch and 0.46mm square pin header.

### SPECIFICATIONS

Current Rating: 1 Amp  
 Insulator resistance: 5000 Megohms min.  
 Contact resistance: 20 m ohms max.  
 Dielectric withstanding: AC 500 V  
 Operating Temperature: -40°~+105°C  
 Max processing Temp: 230° for 30 seconds  
 Contact Material: phosphor bronze  
 Insulator Material: Polyester, UL 94V-0  
 ©Standard: Nylon-6T

Finish: Gold plated

©Standard: Gold flash all over



unit:mm

### How to order

Please replace "X" with appropriate coding listed in the tables below

OLD P/N / NEW P/N  
 (PRS1) P R S Y - X X - X - B

#### Number of Contacts

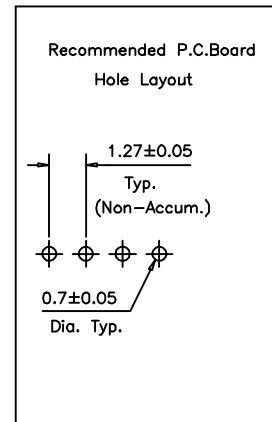
No. of contact = Code
03 to 40 Contacts

#### Contact Plating

Definition	Code
© Gold plated:	
flash	B
15μ"	F
10μ"	E
30μ"	J
©Standard: B	

#### Pin Length mm

B
1.5mm
2.4mm
3.0mm
© Standard: 2.4mm



APTOS Technology - (831)-688-0881