

0.05" X 0.1" (1.27 X 2.54mm) Female Header Dual Row 06 to 100 Contacts Profile: 4.6mm

APPLICATION AND FEATURES

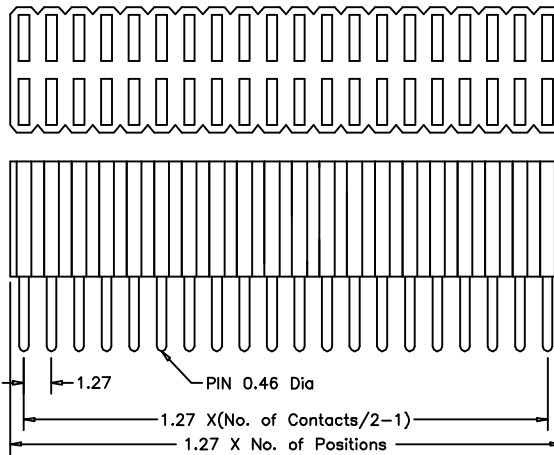
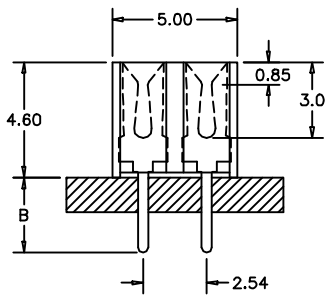
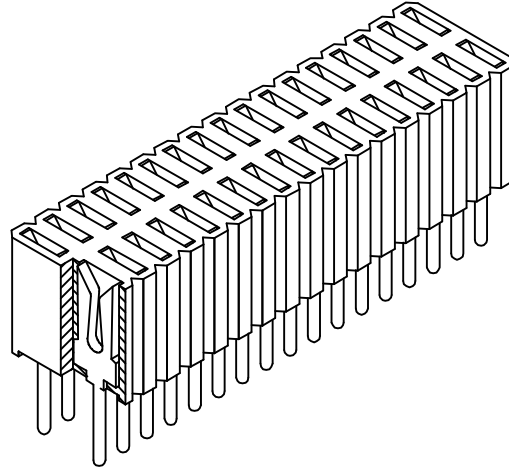
1. Low-profile and High density is suitable for devices which require small and light internal parts.
2. High reliability contact structure provides normal insertion force after repeated cycles.
3. Mate with 1.27mm pitch and 0.46mm square pin header.

SPECIFICATIONS

Current Rating: 1 Amp
 Insulator resistance: 5000 Megohms min.
 Contact resistance: 20 m ohms max.
 Dielectric withstanding: AC 500 V
 Operating Temperature: -40°~+105°C
 Max processing Temp: 230° for 30 seconds
 Contact Material: phosphor bronze
 Insulator Material: Polyester, UL 94V-0
 © Standard: Nylon-6T

Finish: Tin, Gold plated

© Standard: Gold flash all over



unit:mm

How to order

Please replace "X" with appropriate coding listed in the tables below

OLD P/N / NEW P/N
 (PRS2) **P R S Z - X X - X - B**

Number of Contacts

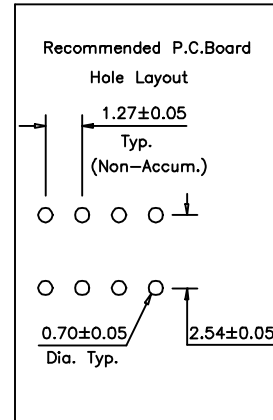
No. of contact = Code
06 to 98 Contacts
100 Contacts = A0

Contact Plating

Definition	Code
© Tin plated:	A
© Gold plated:	
flash B 15μ"	F
10μ" E 30μ"	J
© Standard: B	

Pin Length mm

B
1.5mm
2.4mm
3.0mm
© Standard: 2.4mm



APTOS Technology - (831)-688-0881