

0.1" (2.54mm) Female Header

Single Row 03 to 40 Contacts Profile: 8.5mm
High Quality Dual Beam Folded Contacts

APPLICATION AND FEATURES

1. For profile application 8.5mm high.
2. Accept 0.64mm square pin.
3. Mated with P.C. board connector.

SPECIFICATIONS

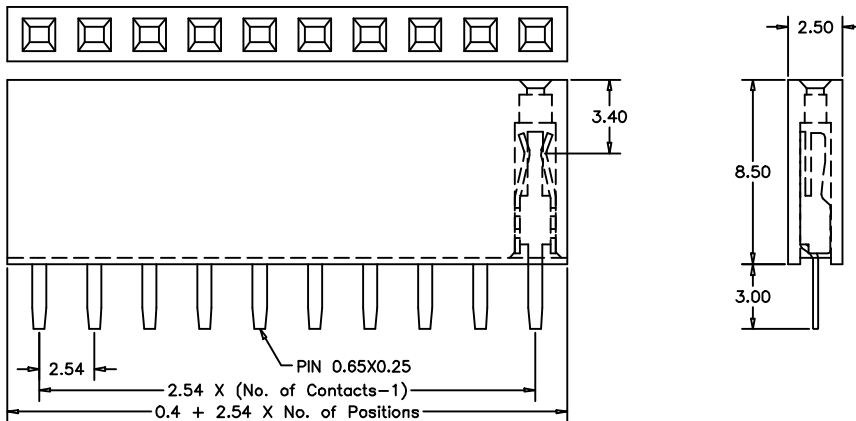
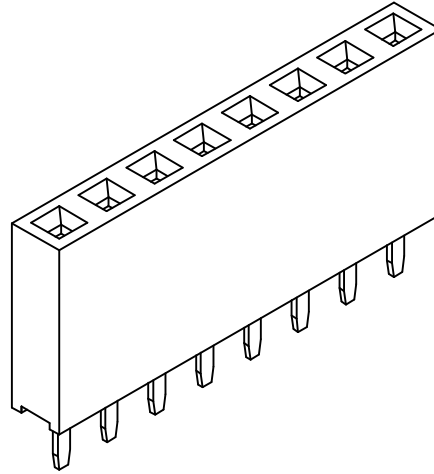
Current Rating: 3 Amps
 Insulator resistance: 5000 Megohms min.
 Contact resistance: 20 m ohms max.
 Dielectric withstanding: AC 1000 V
 Operating Temperature: -40°~+105°C
 Contact Material: Phosphor bronze
 Insulator Material: Polyester, UL 94V-0
 ©Standard: P.B.T

Finish: Tin, Gold or Duplex plated

©Standard: Gold flash all over

©Note:

Duplex plating: gold plated on contact area,
Tin on solder area



unit:mm

How to order

Please replace "X" with appropriate coding listed in the tables below

OLD P/N / NEW P/N
 (PSF1) P S F Y - X X S - X -030

Number of Contacts

No. of contact = Code
03 to 40 Contacts

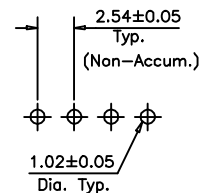
Connector Type

Definition	Code
Straight	S

Contact Plating

Definition	Code
© Tin plated:	A
© Gold plated:	
flash B 15μ"	F
10μ" E 30μ"	J
© Duplex plating:	
flash K 15μ"	P
10μ" N 30μ"	U
©Standard: B	

Recommended P.C.Board Hole Layout



APTOS Technology - (831)-688-0881