

.079" (2.0mm) Female Header

Single Row, Board to Board Connector

03 to 25 Contacts, Straight and Right angle

APPLICATION AND FEATURES

1. Low Profile: 4.3mm height.
2. High quality dual beam phosphor bronze contacts.
3. Designed for board to board small spacing interconnection.
4. Standoffs facilitate post soldering clean.
5. Mating with 2.0mm pitch □ 0.5mm Pin Headers.

SPECIFICATIONS

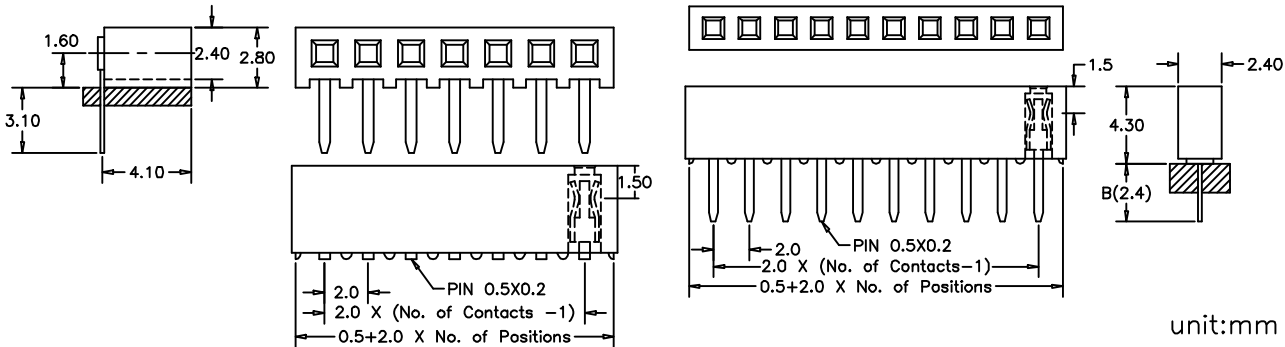
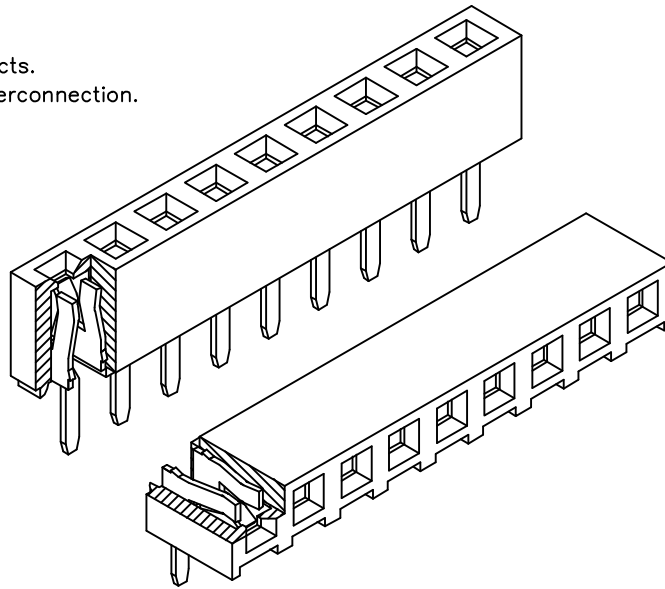
Current Rating: 1 Amp
 Insulator resistance: 5000 Megohms min.
 Contact resistance: 20 m ohms max.
 Dielectric withstanding: AC 500 V
 Operating Temperature: -40°~+105°C
 Max Processing Temp: 230° for 30 seconds
 Contact Material: Phosphor Bronze.
 Insulator Material: Polyester, UL 94V-0
 ©Standard: Nylon-6T

Finish: Tin, Gold or Duplex plated

©Standard: Gold flash all over

©Note:

Duplex plating: gold plated on contact area,
 Tin on solder area



unit:mm

How to order

Please replace "X" with appropriate coding listed in the tables below

OLD P/N / NEW P/N
 (PTF1) P T F Y - X X X - X - B

Number of Contacts

No. of contact = Code
03 to 25 Contacts (Straight)
03 to 17 Contacts (Right Angle)

Connector Type

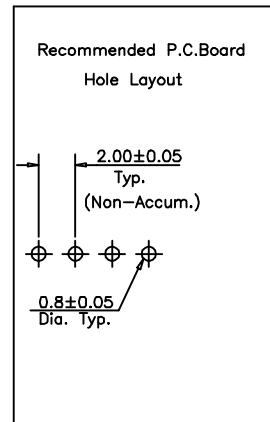
Definition	Code
Straight	S
Right Angle	R

Contact Plating

Definition	Code
© Tin plated:	A
© Gold plated:	
flash B 15μ"	F
10μ" E 30μ"	J
©Duplex plating:	
flash K 15μ"	P
10μ" N 30μ"	U
©Standard: B	

Pin Length mm

B
S: 1.2mm 2.4mm
R: 3.1mm
© Standard: S: 2.4 R: 3.1



APTOS Technology - (831)-688-0881