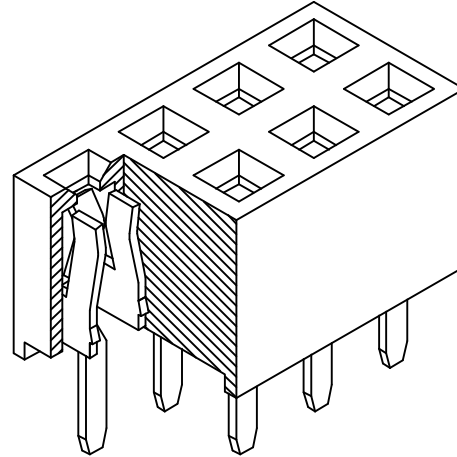


.079" (2.0mm) Female Header Profile: 4.0mm & 4.45mm Straight Dual Row, Board to Board Connector 06 to 80 Contacts

APPLICATION AND FEATURES

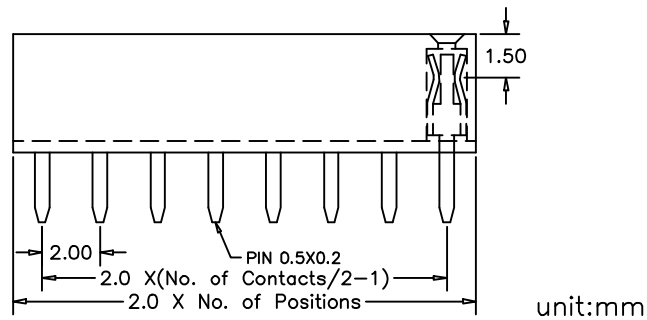
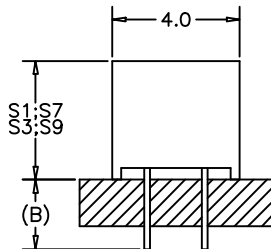
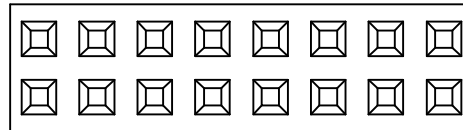
1. Low profile: 4.0mm, 4.45mm height.
2. Designed for board to board small spacing interconnection.
3. Mating with 2.0mm pitch □0.5mm Pin Headers.



SPECIFICATIONS

Current Rating: 1 Amp
 Insulator resistance: 5000 Megohms min.
 Contact resistance: 20 m ohms max.
 Dielectric withstanding: AC 500 V
 Operating Temperature: -40°~+105°C
 Max Processing Temp: 230° for 30 seconds
 Contact Material: Phosphor Bronze.
 Insulator Material: Polyester, UL 94V-0
 ©Standard: Nylon-6T

Finish: Tin, Gold plated
 ©Standard: Gold flash all over



unit:mm

How to order

Please replace "X" with appropriate coding listed in the tables below

OLD P/N / NEW P/N
 (PTF2) P T F Z - X X X X - X - B

Number of Contacts

No. of contact = Code
06 to 80 Contacts

S1 : 4.00
 S3 : 4.45
 S7 : 4.25
 S9 : 4.45

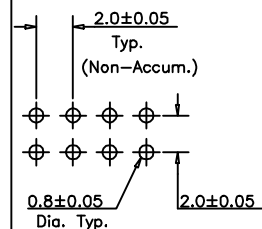
Contact Plating

Definition	Code
© Tin plated:	A
© Gold plated:	
flash B 15μ" F	
10μ" E 30μ" J	
©Standard: B	

Pin Length mm

B
(S1 Type) 1.2mm
(S1 Type) 2.4mm
(S3 Type) 1.4mm
(S3 Type) 2.0mm
(S3 Type) 2.6mm
© Standard: 2.4

Recommended P.C.Board Hole Layout



APTOS Technology - (831)-688-0881