

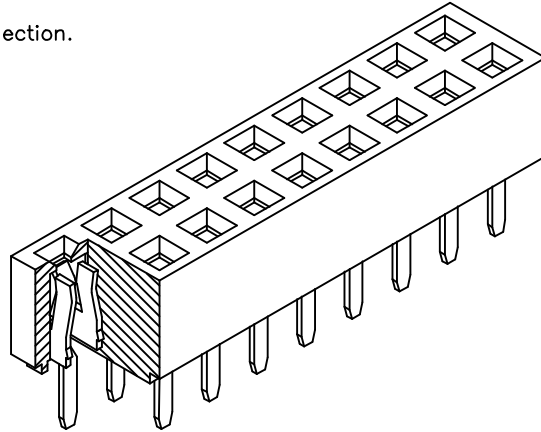
.079"(2.0mm) Female Header Profile:4.3mm Straight Dual Row, Board to Board Connector 06 to 80 Contacts

APPLICATION AND FEATURES

1. Low profile: 4.3mm height.
2. Designed for board to board small spacing interconnection.
3. Mating with 2.0mm pitch □0.5mm Pin Headers.

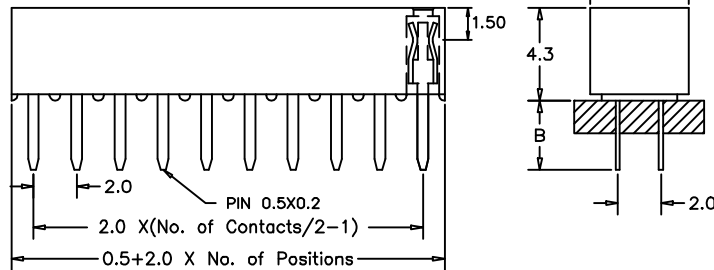
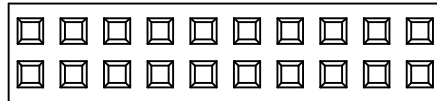
SPECIFICATIONS

Current Rating: 1 Amp
 Insulator resistance: 5000 Megohms min.
 Contact resistance: 20 m ohms max.
 Dielectric withstanding: AC 500 V
 Operating Temperature: -40°~+105°C
 Max Processing Temp: 230° for 30 seconds
 Contact Material: Phosphor Bronze.
 Insulator Material: Polyester,UL 94V-0
 ©Standard: Nylon-6T



Finish: Tin,Gold plated

©Standard: Gold flash all over



unit:mm

How to order

Please replace "X" with appropriate coding listed in the tables below

OLD P/N / NEW P/N
 (PTF2) P T F Z - X X S 2 - X - B

Number of Contacts

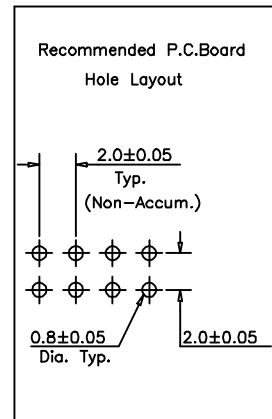
No. of contact = Code
06 ot 80 Contacts

Contact Plating

Definition	Code
© Tin plated:	A
© Gold plated:	
flash B 15μ"	F
10μ" E 30μ"	J
©Standard: B	

Pin Length mm

B	
1.2mm	
2.4mm	
3.2mm	
© Standard: 2.4	



APTOS Technology - (831)-688-0881