

0.079" (2.0mm) Mini Jumper

Two Circuit Shunt Connector

APPLICATION AND FEATURES

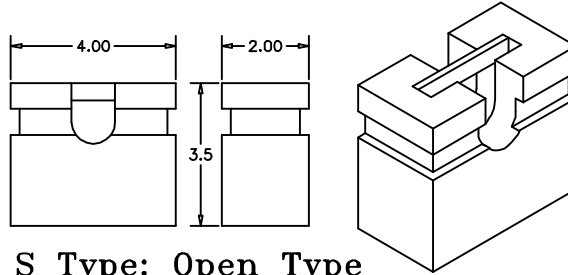
1. Easiest way of programming by simply connecting 2 contact point together or opposite.
2. Easy applied—No soldering.
3. All side stackable.
4. Low cost alternative to DIP switch.
5. Mate with 2.0mm grid male header connectors.

SPECIFICATIONS

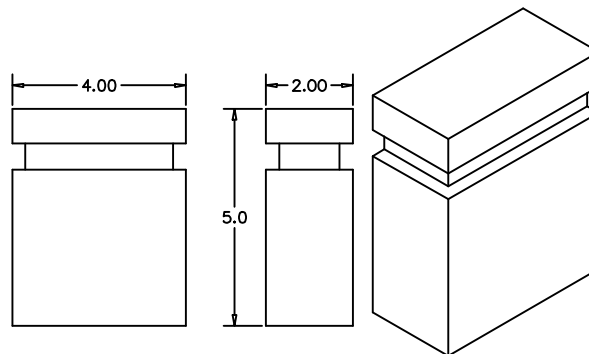
Current Rating: 1 Amp
 Insulator resistance: 5000 Megohms min.
 Contact resistance: 20 m ohms max.
 Dielectric withstanding: AC 500 V
 Operating Temperature: -40~+105°C
 Contact Material: Phosphor Bronze
 Insulator Material: Polyester, UL 94V-0
 ©Standard: P.B.T

Finish: Gold plated

©Standard: Gold flash all over



S Type: Open Type



M Type: Close Type

unit:mm

How to order

Please replace "X" with appropriate coding listed in the tables below

OLD P/N / NEW P/N

(PTJ)

P	T	J
---	---	---

 -

X

 -

X

Height Type

Definition	Code
3.5mm:Open Type	SB
5.0mm:Close Type	MA

Contact Plating

Definition	Code
© Gold plated:	
flash	B

APTOS Technology - (831)-688-0881