

0.079" (2.0mm) Female Header, Right Angle Type Dual Row 06 to 80 Contacts

APPLICATION AND FEATURES

1. High reliable Dual-beam phosphor Bronze contact.
2. Designed for right-Angle P.C.Board mounting.
3. Variable standoffs height.
4. Mating with 2.0mm pitch \square 0.5mm Pin Headers.

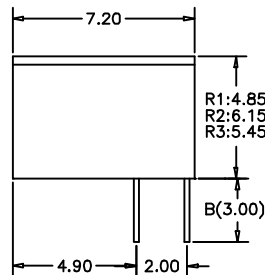
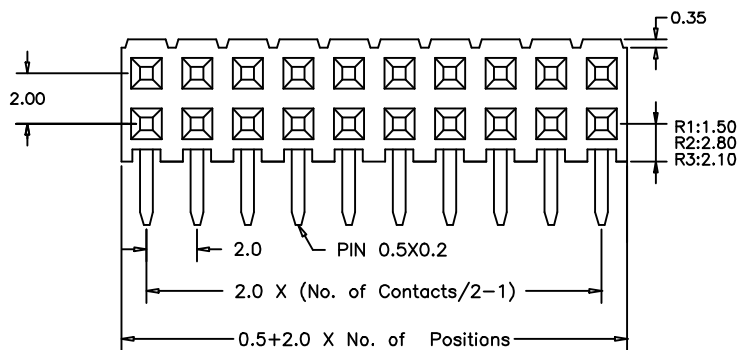
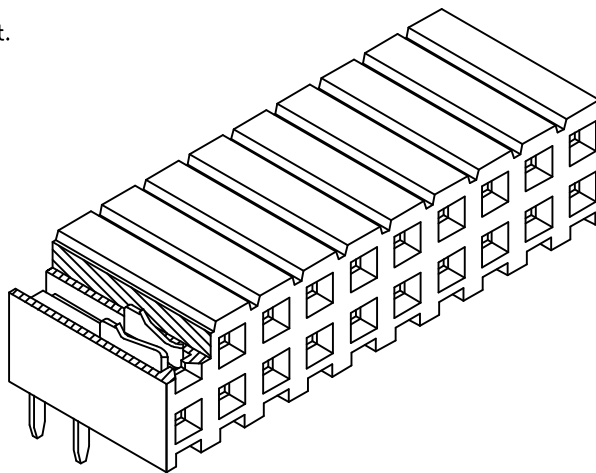
SPECIFICATIONS

Current Rating: 1 Amp
 Insulator resistance: 5000 Megohms min.
 Contact resistance: 20 m ohms max.
 Dielectric withstanding: AC 500 V
 Operating Temperature: $-40^{\circ}\sim+105^{\circ}\text{C}$
 Max Processing Temp: 230° for 30 seconds
 Contact Material: Phosphor Bronze
 Insulator Material: Polyester, UL 94V-0
 ©Standard: Nylon-6T

Finish: Tin, Gold or Duplex plated
 ©Standard: Gold flash all over

©Note:

Duplex plating: gold plated on contact area,
 Tin on solder area



unit:mm

How to order

Please replace "X" with appropriate coding listed in the tables below

OLD P/N / NEW P/N
 (PTRZ) **P** **T** **R** **Z** - **X** **X** **X** **X** - **X** - **B**

Number of Contacts

No. of contact = Code
06 to 80 Contacts

Connector Type

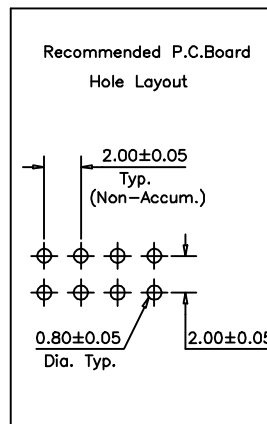
Definition	Code
Right Angle	
4.85mmBase	R1
6.15mmBase	R2
5.45mmBase	R3
©Standard:	R1

Contact Plating

Definition	Code
© Tin plated:	A
© Gold plated:	
flash B 15 μ "	F
10 μ " E 30 μ "	J
©Duplex plating:	
flash K 15 μ "	P
10 μ " N 30 μ "	U
©Standard:	B

Pin Length mm

B
R1:3.00
R2:3.00
R3:2.40
© Standard:
R1:3.00



APTOS Technology - (831)-688-0881