

0.1" (2.54mm) Female Header

Single Row 03 to 40 Contacts

Standard Profile: 8.5mm

APPLICATION AND FEATURES

1. Standoffs facilitate post soldering clean.
2. Dual-beam folded contact
3. Mate with \square 0.64mm grid male Headers.

SPECIFICATIONS

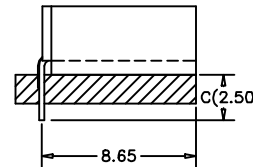
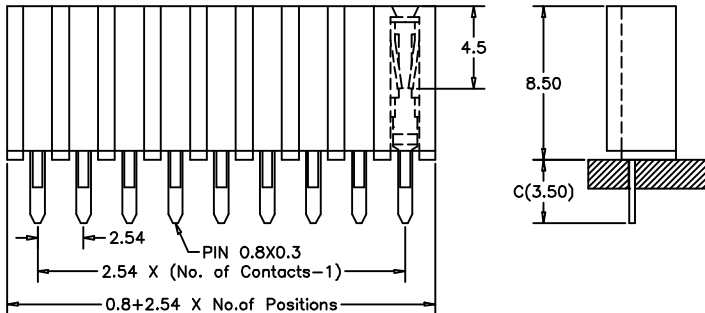
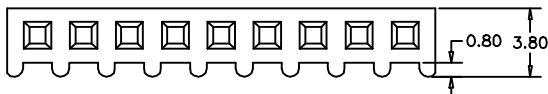
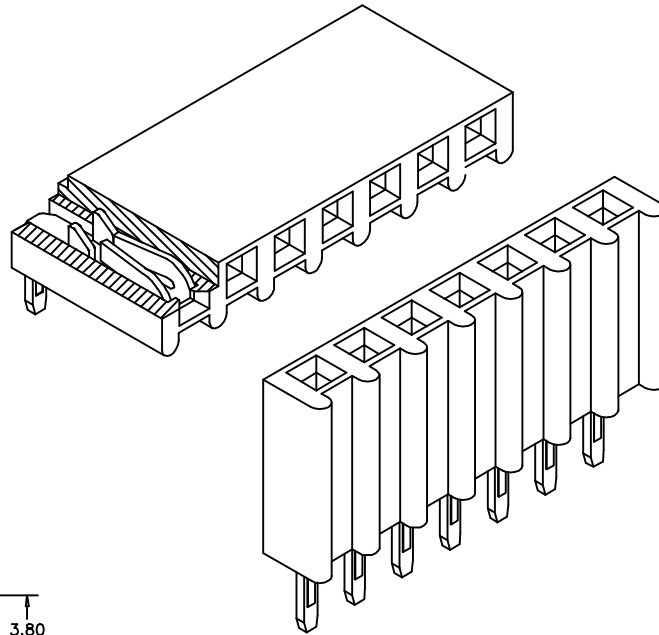
Current Rating: 3 Amps
 Insulator resistance: 5000 Megohms min.
 Contact resistance: 20 m ohms max.
 Dielectric withstanding: AC 1000 V
 Operating Temperature: $-40^{\circ}\sim+105^{\circ}\text{C}$
 Contact Material: Phosphor bronze
 Insulator Material: Polyester, UL 94V-0
 ©Standard: P.B.T

Finish: Tin, Gold or Duplex plated

©Standard: Gold flash all over

©Note:

Duplex plating: gold plated on contact area,
 Tin on solder area



unit:mm

How to order

Please replace "X" with appropriate coding listed in the tables below

OLD P/N / NEW P/N
 (PWF1) P W F Y - X X X - X - C

Number of Contacts

No. of contact = Code
03 to 40 Contacts

Connector Type

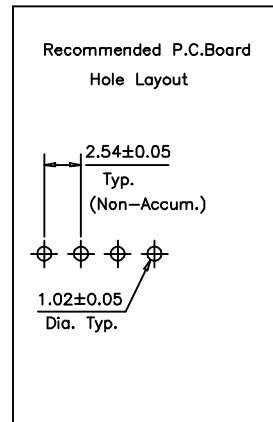
Definition	Code
Straight	S
Right Angle	R

Contact Plating

Definition	Code
© Tin plated:	A
© Gold plated:	
flash B 15 μ "	F
10 μ "	E 30 μ "
© Duplex plating:	
flash K 15 μ "	P
10 μ "	N 30 μ "
©Standard: B	

Pin Length mm

S-C	R-C
3.5mm	2.5mm
© Standard: S:3.50/R:2.50	



APTOS Technology - (831)-688-0881