

# 0.1" (2.54mm) Female Header

## Dual Row 06 to 80 Contacts Profile: 8.5mm

### APPLICATION AND FEATURES

1. Standoffs facilitate post soldering clean.
2. Dual-beam folded contact.
3. Mate with 0.64 S.Q Pin Header.

### SPECIFICATIONS

Current Rating: 3 Amps  
 Insulator resistance: 5000 Megohms min.  
 Contact resistance: 20 m ohms max.  
 Dielectric withstanding: AC 500 V  
 Operating Temperature: -40~+105°C  
 Contact Material: Phosphor bronze  
 Insulator Material: Polyester, UL 94V-0

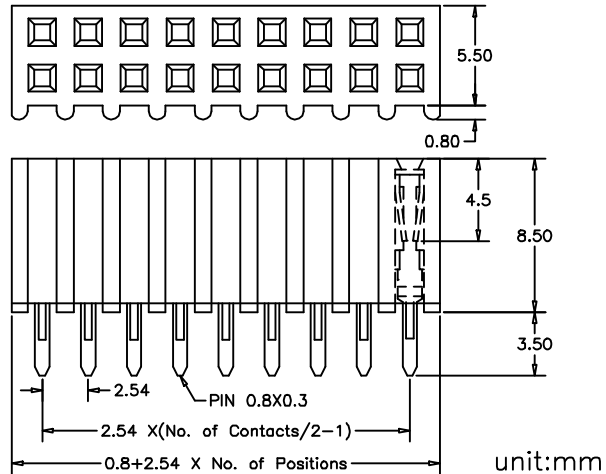
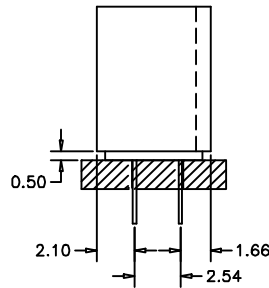
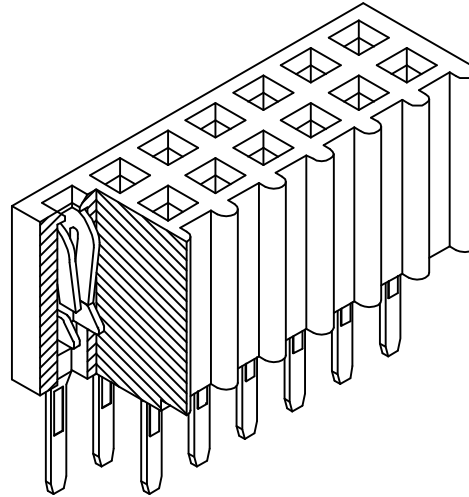
©Standard: P.B.T

Finish: Tin, Gold or Duplex plated

©Standard: Gold flash all over

©Note:

Duplex plating: gold plated on contact area,  
 Tin on solder area



### How to order

Please replace "X" with appropriate coding listed in the tables below

OLD P/N / NEW P/N  
 (PWF2) P W F Z - X X S - X -035

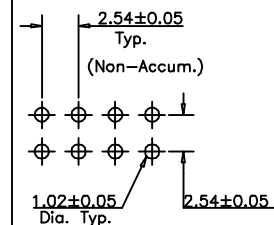
#### Number of Contacts

No. of contact = Code
06 to 80 Contacts

#### Contact Plating

Definition	Code
© Tin plated:	A
© Gold plated:	
flash B 15μ"	F
10μ" E 30μ"	J
© Duplex plating:	
flash K 15μ"	P
10μ" N 30μ"	U
© Standard: B	

#### Recommended P.C.Board Hole Layout



APTOS Technology - (831)-688-0881