

0.05" X 0.1" (1.27 X 2.54mm) Board Spacer

Dual Row 06 to 100 Contacts

APPLICATION AND FEATURES

1. QD series headers are ideal for board stacking application.

SPECIFICATIONS

Current Rating: 1 Amp
 Insulator resistance: 5000 Megohms min.
 Dielectric withstanding: AC 500 V
 Operating Temperature: -40°~+105°C
 Max Processing Temp: 230° for 30 seconds
 Contact Material: Copper alloy
 Insulator Material: Polyester, UL 94V-0

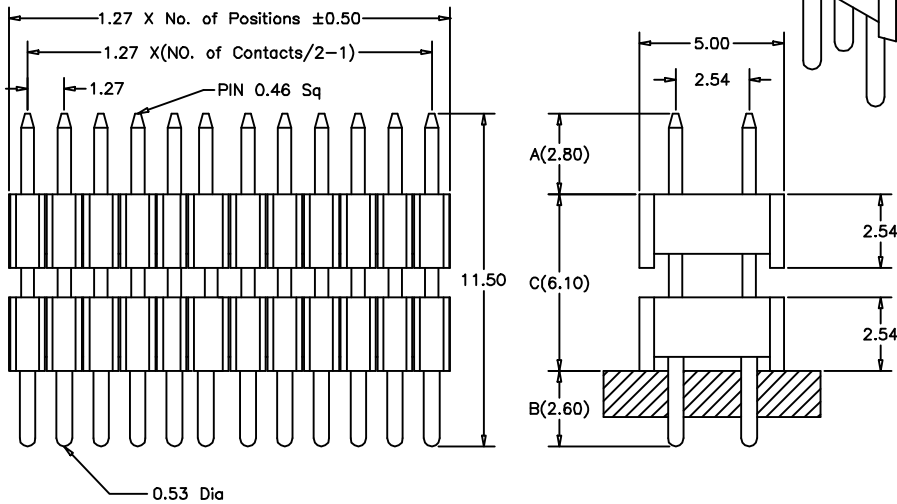
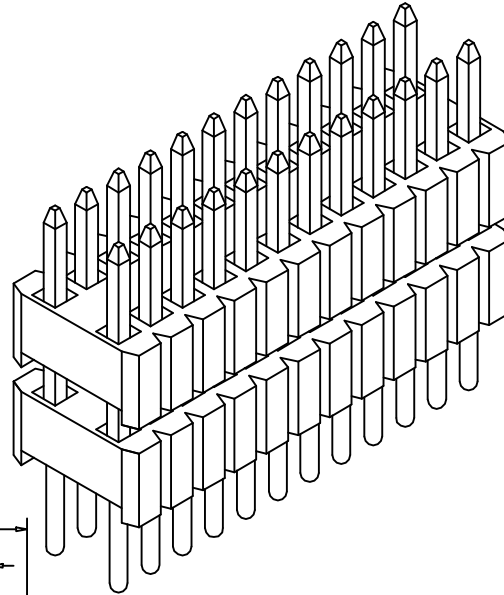
©Standard: Nylon-6T

Finish: Tin, Gold or Duplex plated

©Standard: Duplex plated

©Note:

Duplex plating: gold plated on contact area,
 Tin on solder area



unit:mm

How to order

Please replace "X" with appropriate coding listed in the tables below

OLD P/N / NEW P/N
 (QPRD2) Q D - X X - X - A / C / B

Number of Contacts

No. of contact = Code
06 to 98 Contacts
100 Contacts = A0

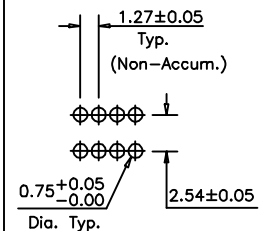
Contact Plating

Definition	Code
© Tin plated:	A
© Gold plated:	
flash B 15μ"	F
10μ"	E 30μ"
© Duplex plating:	
flash K 15μ"	P
10μ"	N 30μ"
©Standard: K	

Pin Length mm

A	C	B
2.8	6.1	2.6
For PRS-series		
6.0	6.1	2.6
For PRF-series		
if you desire an other length, by marking put desired length in the A/C/B		

Recommended P.C.Board Hole Layout



APTOS Technology - (831)-688-0881