

0.1" (2.54mm) Elevated Female Header Single Row 3 to 40 Contacts

APPLICATION AND FEATURES

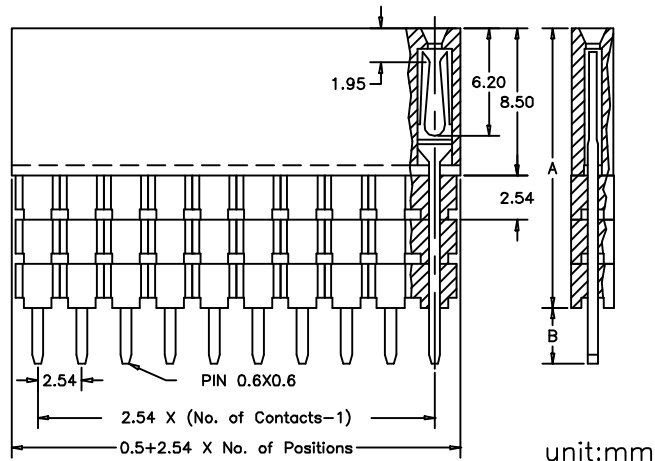
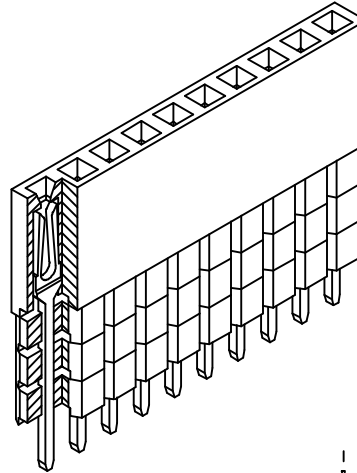
1. Different foot length for customer design choice.
2. Available with square tail.
3. Mating with □0.64& □0.60 Pin Headers.

SPECIFICATIONS

Current Rating: 3 Amps
 Insulator resistance: 5000 Megohms min.
 Contact resistance: 20 m ohms max.
 Dielectric withstanding: AC 500 V
 Operating Temperature: -40°~+105°C
 Contact Material: Phosphor Bronze
 Insulator Material: Polyester, UL 94V-0
 ©Standard: P.B.T

Finish: Gold plated

©Standard: Gold flash all over



How to order

Please replace "X" with appropriate coding listed in the tables below

OLD P/N / NEW P/N
 (QPHF1) Q P H F Y - X X - X - X X

Number of Contacts

No. of contact = Code
 03 to 40 Contacts

Contact Plating

Definition	Code	
© Gold plated:		
flash	B	15μ"
	E	30μ"
	F	
	J	

©Standard: B

	A	B
1W	11.05	2.30

	A	B
1Y	11.05	7.35
2Y	13.59	4.85
3Y	16.13	2.30

	A	B
1Z	11.05	12.2
2Z	13.59	9.65
3Z	16.13	7.10
4Z	18.67	4.60

APTOS Technology - (831)-688-0881