

# 0.1" (2.54mm) Elevated Female Header Dual Row 6 to 80 Contacts

## APPLICATION AND FEATURES

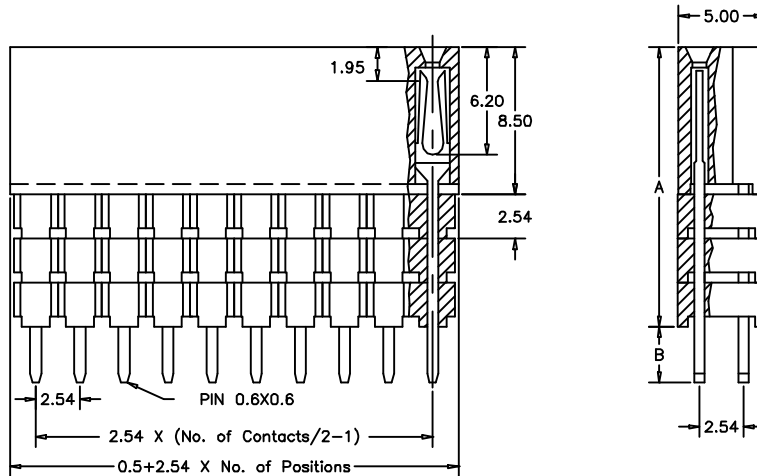
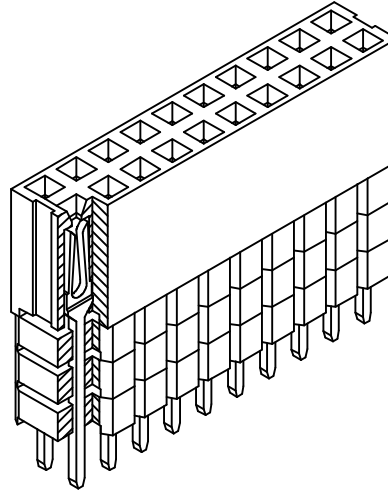
1. Different foot length for customer design choice.
2. Available with square tall.
3. Mate with 0.64 S.Q Pin Header.

## SPECIFICATIONS

Current Rating: 3 Amps  
 Insulator resistance: 5000 Megohms min.  
 Contact resistance: 20 m ohms max.  
 Dielectric withstanding: AC 1000 V  
 Operating Temperature: -40°~+105°C  
 Contact Material: Phosphor Bronze  
 Insulator Material: Polyester, UL 94V-0  
 ©Standard: P.B.T

Finish: Gold plated

©Standard: Gold flash all over



unit:mm

## How to order

Please replace "X" with appropriate coding listed in the tables below

OLD P/N / NEW P/N  
 (QPHF2) Q P H F Z - X X - X - X X

### Number of Contacts

No. of contact = Code  
 06 to 80 Contacts

### Contact Plating

Definition	Code
© Gold plated:	
flash B 15μ"	F
10μ" E 30μ"	J

©Standard: B

	A	B
1W	11.05	2.30

	A	B
1Y	11.05	7.35
2Y	13.59	4.85
3Y	16.13	2.30

	A	B
1Z	11.05	12.2
2Z	13.59	9.65
3Z	16.13	7.10
4Z	18.67	4.60

©Optional dimension upon request.

APTOS Technology - (831)-688-0881