

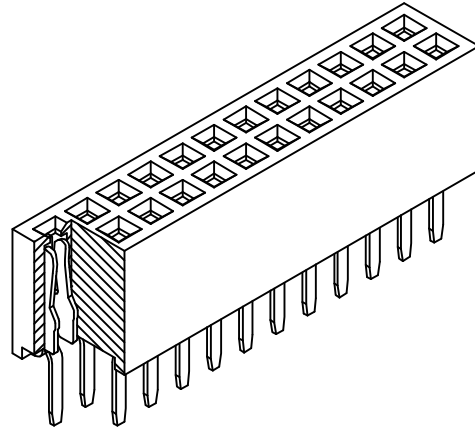
0.05" X 0.05" (1.27 X 1.27mm) Female Header Dual Row 06 to 100 Contacts For 0.4mm Square Post Mating

APPLICATION AND FEATURES

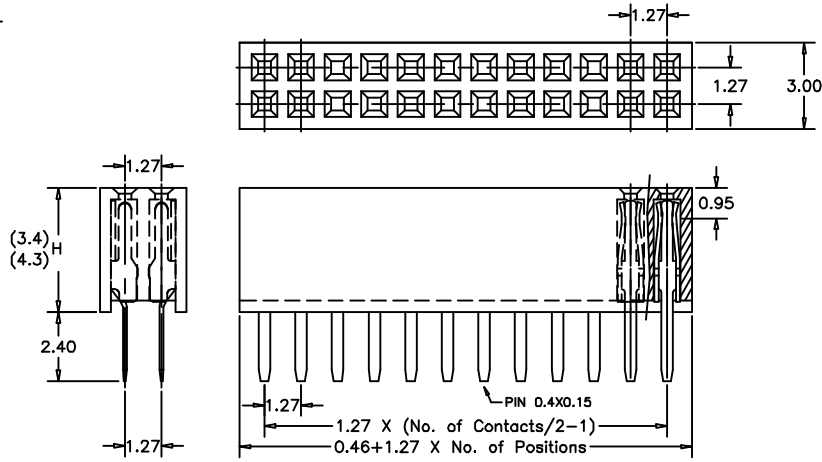
1. gold or tin plated.
2. Standoffs facilitate post solder cleaning.

SPECIFICATIONS

Current Rating: 1 Amp
 Insulator resistance: 5000 Megohms min.
 Contacts resistance: 20 m ohms max.
 Dielectric withstanding: AC 500 V
 Operating Temperature: -40°~+105°C
 Max Processing Temp: 230° for 30 seconds
 Contact Material: Phosphor bronze
 Insulator Material: Polyester, UL 94V-0
 ©Standard: Nylon-6T



Finish: Gold plated
 ©Standard: Gold flash all over



unit:mm

How to order

Please replace "X" with appropriate coding listed in the tables below

OLD P/N / NEW P/N
 (QPOF2) Q P O F Z - X X X X - X - 024

Number of Contacts

| No. of contact = Code |
|-----------------------|
| 06 to 98 Contacts |
| 100 Contacts = A0 |

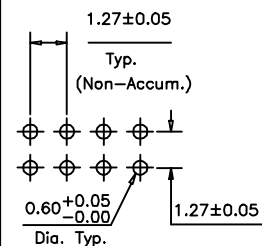
Connector Type

| Definition | Code |
|----------------|------|
| Height:H | |
| 3.4mm Base | S1 |
| 4.3mm Base | S2 |
| © Standard: S1 | |

Contact Plating

| Definition | Code |
|----------------|------|
| © Gold plated: | |
| flash | B |
| 15μ" | F |
| 10μ" | E |
| 30μ" | J |
| ©Standard: B | |

Recommended P.C.Board Hole Layout



APTOS Technology - (831)-688-0881