

# 0.05" X 0.1" (1.27 X 2.54mm) Pin Header

## Dual Row 06 to 100 Contacts

### APPLICATION AND FEATURES

1. QRZ series headers are ideal for board stacking application.
2. A Choice of 2 terminal lengths for mating with PRSZ and PRFZ series P.C. Board connector to achieve space saving.
3. Standoffs facilitate post soldering clean.

### SPECIFICATIONS

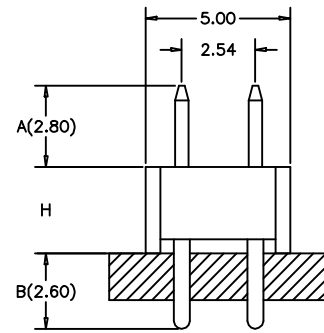
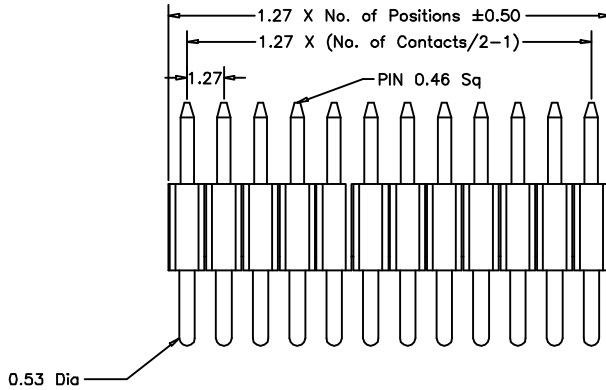
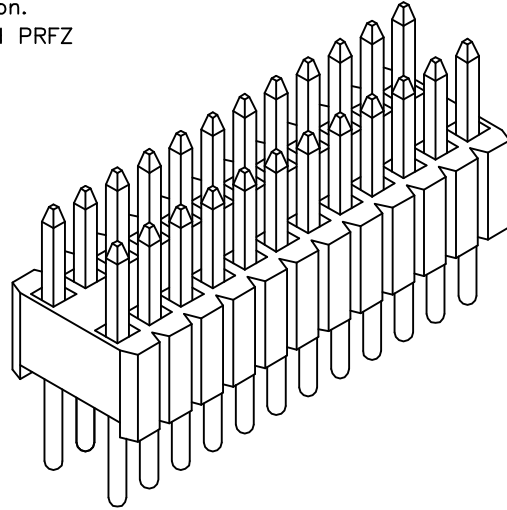
Current Rating: 1 Amp  
 Insulator resistance: 5000 Megohms min.  
 Dielectric withstanding: AC 500 V  
 Operating Temperature: -40°~+105°C  
 Max Processing Temp: 230° for 30 seconds  
 Contact Material: Copper alloy  
 Insulator Material: Polyester, UL 94V-0  
 ©Standard: Nylon-6T

Finish: Tin, Gold or Duplex plated

©Standard: Duplex plated

©Note:

Duplex plating: gold plated on contact area,  
 Tin on solder area



unit:mm

### How to order

Please replace "X" with appropriate coding listed in the tables below

OLD P/N / NEW P/N  
 (QPRB2) **Q R Z** - **X X X X** - **X** - **A / B**

#### Number of Contacts

No. of contact = Code
06 to 98 Contacts
100 Contacts = A0

#### Connector Type

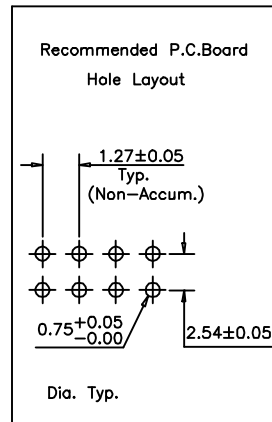
Definition	Code
Height:H	
2.54mm Base	S1
3.0mm Base	S2
1.7mm Base	S3
© Standard:	S1

#### Contact Plating

Definition	Code
© Tin plated:	A
© Gold plated:	
flash B 15μ"	F
10μ" E 30μ"	J
©Duplex plating:	
flash K 15μ"	P
10μ" N 30μ"	U
©Standard: K	

#### Pin Length mm

A	B
2.8	2.6
For PRS-series	
6.0	3.0
For PRF-series	
if you desire an other length, by marking put desired length in the A / B.	



APTOS Technology - (831)-688-0881