

0.05" X 0.05" (1.27 X 1.27) SMD Pin Header Box Type Board Spacer 10 to 100 Contacts 0.4mm Square Post

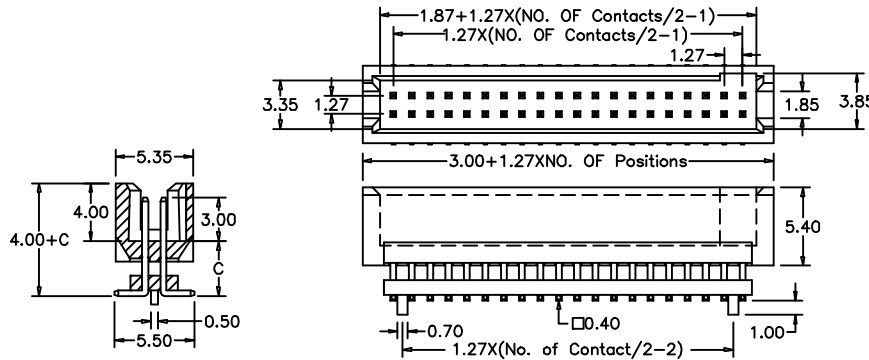
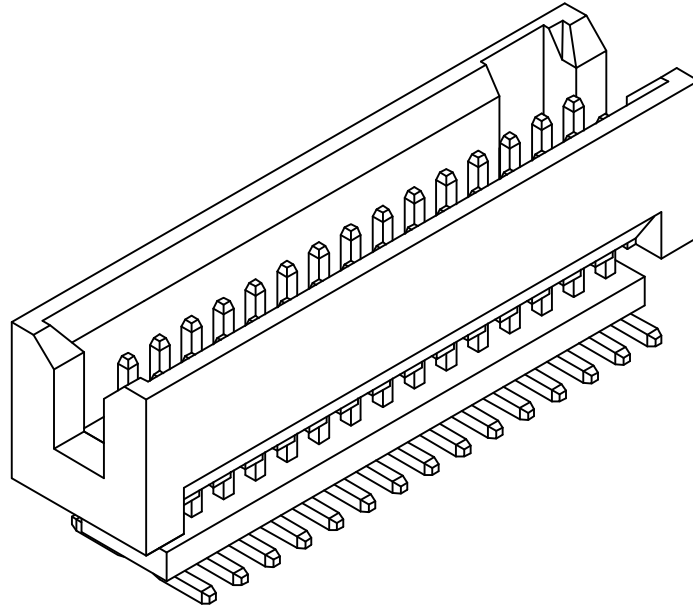
APPLICATION AND FEATURES

1. Variable pin length, gold plated.
2. Mate with P.C. Board connectors.

SPECIFICATIONS

Current Rating: 1 Amp
 Insulator resistance: 5000 Megohms min.
 Dielectric withstanding: AC 500 V
 Operating Temperature: -40°~+105°C
 Max Processing Temp: 230° for 30 seconds
 Contact Material: Copper alloy
 Insulator Material: Polyester, UL 94V-0
 ©Standard: Nylon-6T

Finish: Gold plated
 ©Standard: Gold flash all over



unit:mm

How to order

Please replace "X" with appropriate coding listed in the tables below

NEW P/N
S N P O D - X X - X - C - X — 0:W/O Locating peg
 1:With Locating peg

Number of Contacts

No. of contact = Code
10 to 98 Contacts
100 Contacts = A0

Contact Plating

Definition	Code
© Gold plated:	
flash	B 15μ" F
10μ"	E 30μ" J
©Standard: B	

Pin Length mm

C
15.0
if you desire an other length, by marking put desired length in the C
©Standard: 15.0

Recommended P.C.Board Hole Layout

