

# 0.05" X 0.05" (1.27 X 1.27) SMD Pin Header Box Type Dual Row 10 to 100 Contacts Profile:5.6mm 0.4mm Square Post

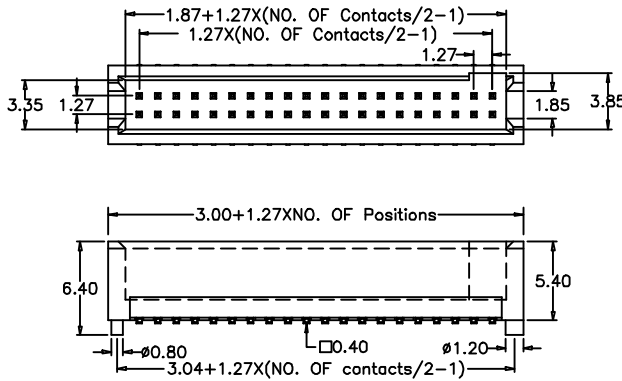
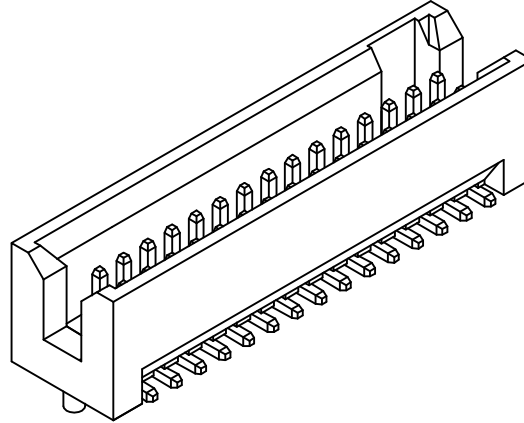
## APPLICATION AND FEATURES

1. Mates with P.C.Board connectors

## SPECIFICATIONS

Current Rating: 1 Amp  
 Insulator resistance: 5000 Megohms min.  
 Dielectric withstanding: AC 500 V  
 Operating Temperature: -40°~+105°C  
 Max Processing Temp: 230° for 30 seconds  
 Contact Material: Copper alloy  
 Insulator Material: Polyester,UL 94V-0  
 ©Standard: Nylon-6T

Finish: Gold plated  
 ©Standard: Gold flash all over



unit:mm

## How to order

Please replace "X" with appropriate coding listed in the tables below

NEW P/N

SNPOSA - XX - X - X

0 : W/O Locating peg

1 : With Locating peg

### Number of Contacts

No. of contact = Code
10 to 98 Contacts
100 Contacts =A0

### Contact Plating

Definition	Code
© Gold plated:	
flash B 15 $\mu$ " F	
10 $\mu$ " E 30 $\mu$ " J	
©Standard: B	

### Recommended P.C.Board SMD Layout

