

0.1"(2.54mm) SMD Female Header, Profile:7.4mm Single Row 03 to 20 Contacts

APPLICATION AND FEATURES

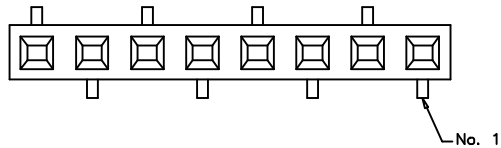
1. For profile application 7.4mm high.
2. Accept 0.64mm square pin .
3. Mated with P.C. board connector.

SPECIFICATIONS

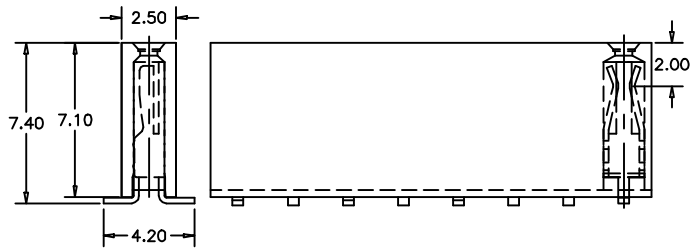
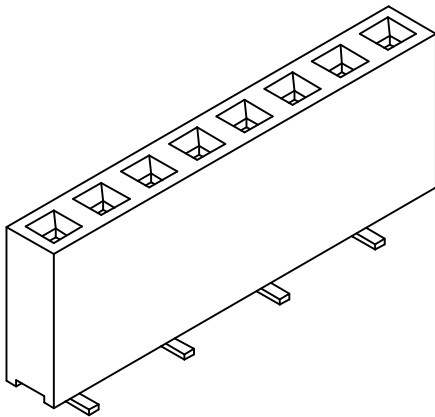
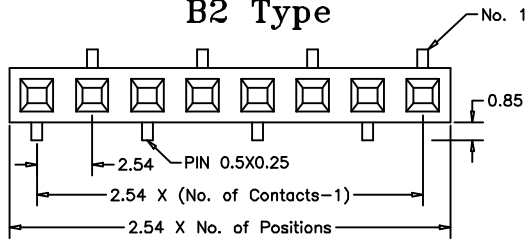
Current Rating: 3 Amps
 Insulator resistance: 5000 Megohms min.
 Contact resistance: 20 m ohms max.
 Dielectric withstanding: AC 1000 V
 Operating Temperature: -40°~+105°C
 Max Processing Temp: 230° for 30 seconds
 Contact Material: Phosphor bronze
 Insulator Material: Polyester,UL 94V-0
 ©Standard:Nylon-6T

Finish: Tin,Gold plated
 ©Standard: Gold flash all over

B1 Type



B2 Type



unit:mm

How to order

Please replace "X" with appropriate coding listed in the tables below

OLD P/N / NEW P/N
 (SPGF1) S P G F Y - X X - X X - X

Number of Contacts

No. of contact = Code
03 to 20 Contacts

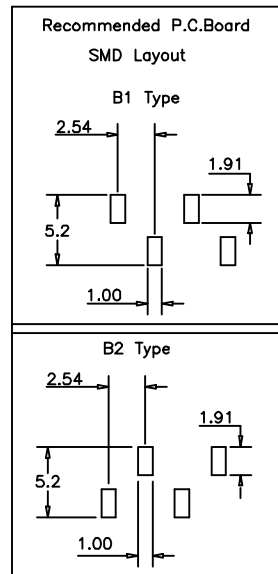
Connector Type

B1 TYPE
B2 TYPE

Contact Plating

Definition	Code
© Tin plated:	A
© Gold plated:	
flash B 15μ"	F
10μ" E 30μ"	J

©Standard: B



APTOS Technology - (831)-688-0881