

0.05"X0.05"(1.27X1.27mm) SMD Female Dual Entry Low Profile:2.2 mm Dual Row 06 to 60 Contacts For 0.4mm Square Post Mating

APPLICATION AND FEATURES

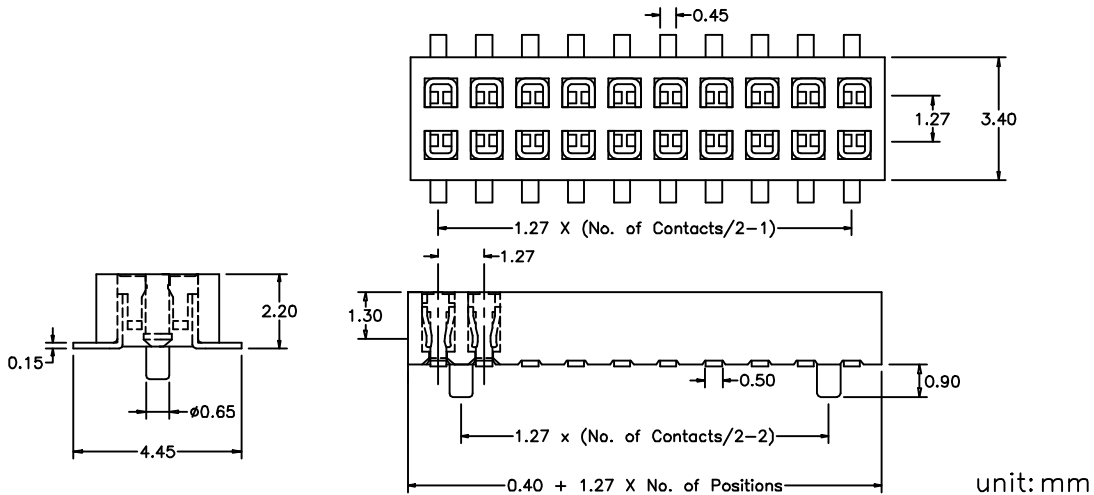
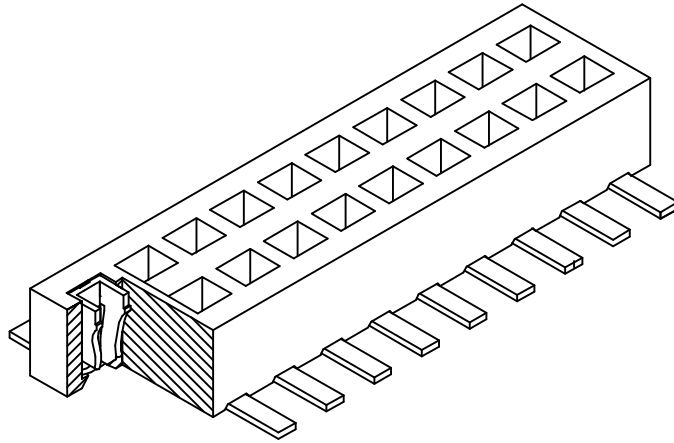
1. Variable with gold plated.
2. Mated with P.C. board connector.

SPECIFICATIONS

Current Rating: 1 Amp
 Insulator resistance: 5000 Megohms min.
 Contacts resistance: 20 m ohms max.
 Dielectric withstanding: AC 500 V
 Operating Temperature: -40~+105°C
 Max Processing Temp: 230° for 30 seconds
 Contact Material: Phosphor bronze
 Insulator Material: Polyester,UL 94V-0
 ©Standard:Nylon-6T

Finish:Gold plated

©Standard: Gold flash all over



How to order

Please replace "X" with appropriate coding listed in the tables below

OLD P/N / NEW P/N
 (SPNBF) S P N B F - X X - X - X

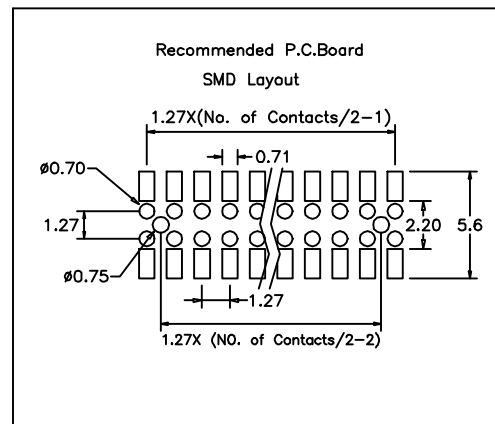
0: W/O Locating peg
 1: With Locating peg

Number of Contacts

No. of contact = Code
06 to 60 Contacts

Contact Plating

Definition	Code
© Gold plated:	
flash B	15μ" F
10μ" E	30μ" J
©Standard: B	



APTOS Technology - (831)-688-0881