

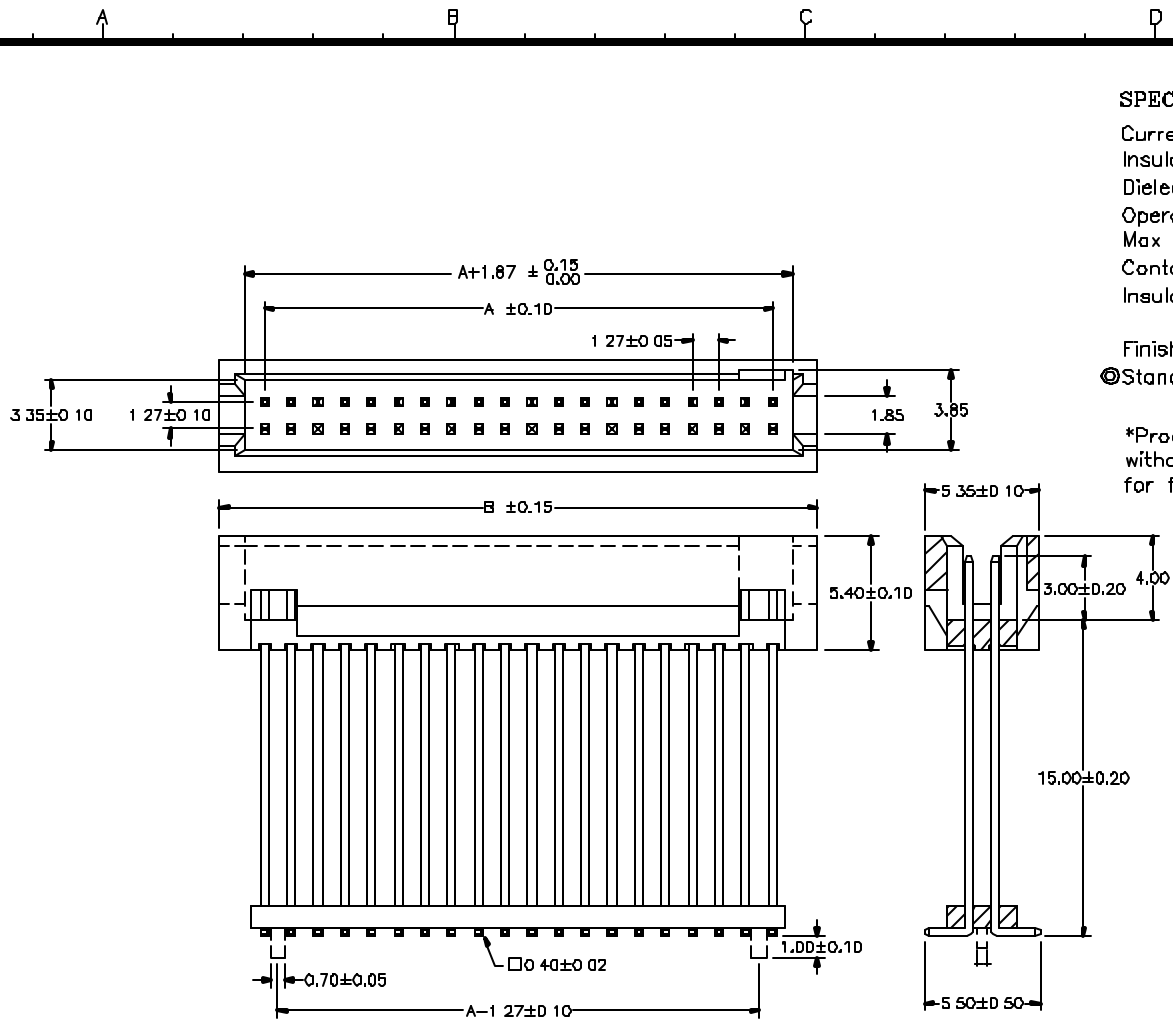
No. of Contacts	DIMENSIONS	
	A	B
1D	5.08	9.35
12	6.35	10.62
14	7.62	11.89
16	8.89	13.16
18	10.16	14.43
2D	11.43	15.70
22	12.70	16.97
24	13.97	18.24
28	15.24	19.51
2B	16.51	20.78
3D	17.78	22.05
32	19.05	23.32
34	20.32	24.59
36	21.59	25.86
38	22.86	27.13
4D	24.13	28.40
42	25.40	29.67
44	26.67	30.94
46	27.94	32.21
48	29.21	33.48
5D	30.48	34.75
52	31.75	36.02
54	33.02	37.29
56	34.29	38.56
58	35.56	39.83
6D	36.83	41.10
62	38.10	42.37
64	39.37	43.64
66	40.64	44.91
68	41.91	46.18
7D	43.18	47.45
72	44.45	48.72
74	45.72	49.99
76	46.99	51.26
78	48.26	52.53
8D	49.53	53.80
82	50.80	55.07
84	52.07	56.34
86	53.34	57.61
88	54.61	58.88
9D	55.88	60.15
92	57.15	61.42
94	58.42	62.69
96	59.69	63.96
98	60.96	65.23
100	62.23	66.50

SPECIFICATIONS

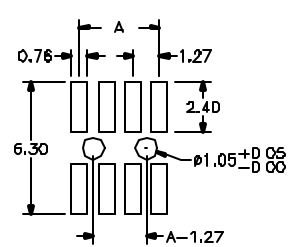
Current Rating: 1 Amp
 Insulator resistance: 5000 Megohms min.
 Dielectric withstanding: AC 500 V
 Operating Temperature: -40°~+105°C
 Max Processing Temp: 230° for 30 seconds
 Contact Material: Copper alloy
 Insulator Material: Polyester, UL 94V-0
 ⓈStandard: Nylon-6T

Finish: Gold plated
 ⓈStandard: Gold flash all over

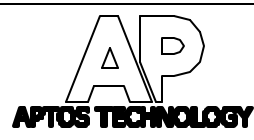
*Product specifications are subject to change without notice. Please contact sales office for further confirmation.



Recommended P.C.Board Hole Layout



⚠ SP0D2-XX-XXX-C	VERSION	SP0D2-XX-XXX-C-X	12-30-99'
⚠ SP0D2-XX-XXX-C-X	VERSION	SP0D-XX-X-C-X	24-08-00'
⚠ SP0D-XX-X-C-X	VERSION	SP0D-XX-X-015-X	21-09-00'



GENERAL TOLERANCE	
XX. ±	XXX. ±
X. ± 0.20	.XXX ±
.X ± 0.10	X. ±
.XX ± 0.05	.X ±

SCALE	3=1
UNIT	MM
SIZE	A4

DRAWN	CHECK	APPROVE
-------	-------	---------

DATE	-09-00'
DATE	-09-00'
DATE	-09-00'

DWG. NO.	F:\DWG\CDWG\SP0D\SP0D0A.DWG
PARTS NO.	⚠ ⚠ ⚠
	SP0D-XX-X-150-X

TITLE	SP0D Series
-------	-------------

REV.	2.3
SHEET	1/2