

.05" (1.27mm) SMD Female Header Straight Single Row Board to Board Connector 3 to 50 Contacts

APPLICATION AND FEATURES

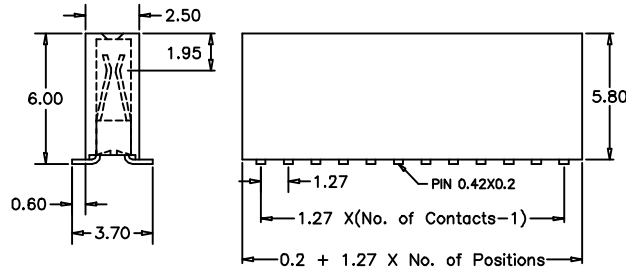
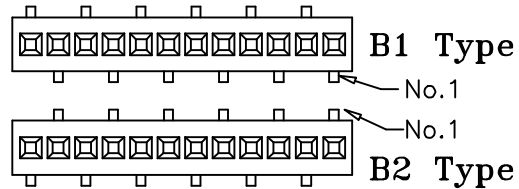
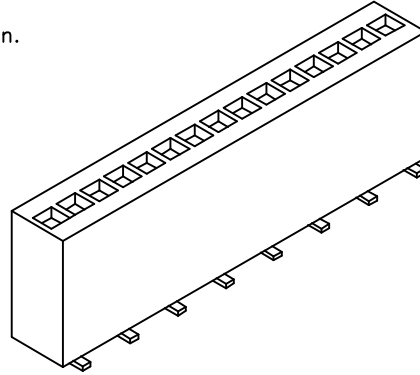
1. Low profile: 6.0mm height.
2. Dual beam phospher bronze contacts.
3. Designed for board to board small spacing interconnection.
4. Mating with 1.27mm pitch □0.46mm Pin Headers.

SPECIFICATIONS

Current Rating: 1 Amp
 Insulator resistance: 5000 Megohms min.
 Contact resistance: 20 m ohms max.
 Dielectric withstanding: AC 500 V
 Operating Temperature: -40°~+105°C
 Max Processing Temp: 230° for 30 seconds
 Contact Material: Phosphor Bronze.
 Insulator Material: Polyester, UL 94V-0
 ©Standard: Nylon-6T

Finish: Gold plated

©Standard: Gold flash all over



unit:mm

How to order

Please replace "X" with appropriate coding listed in the tables below

OLD P/N / NEW P/N
 (SPRM1) S P R M Y - X X -

B1
B2

 - X

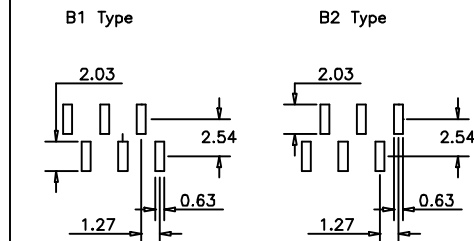
Number of Contacts

No. of contact = Code
03 to 50 Contacts

Contact Plating

Definition	Code
© Gold plated:	
flash B 15μ"	F
10μ" E 30μ"	J
©Standard: B	

Recommended P.C.Board SMD Layout



APTOS Technology - (831)-688-0881