

# 0.05" × 0.1" (1.27mm × 2.54mm) Center SMD Pin Header Dual Row 06 to 60 Contacts

## APPLICATION AND FEATURES

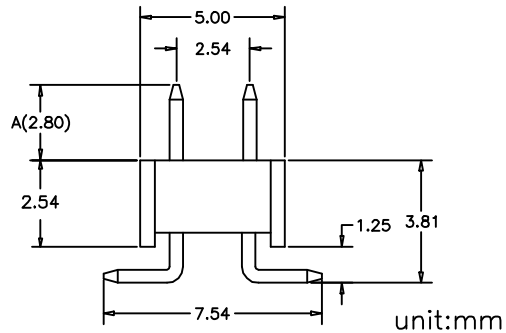
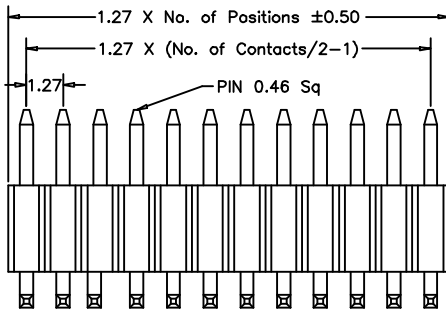
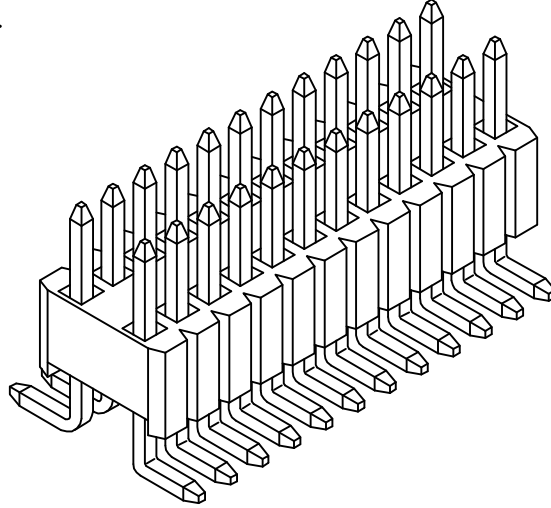
1. SPRZ series headers are ideal for board stacking application.
2. A Choice of 2 terminal lengths for mating with PRSZ and PRFZ series P.C Board connector to achieve space saving.

## SPECIFICATIONS

Current Rating: 1 Amp  
 Insulator resistance: 5000 Megohms min.  
 Dielectric withstanding: AC 500 V  
 Operating Temperature: -40°~+105°C  
 Max Processing Temp: 230° for 30 seconds  
 Contact Material: Copper alloy  
 Insulator Material: Polyester, UL 94V-0  
 ©Standard: Nylon-6T

Finish: Tin, Gold plated

©Standard: Gold flash all over



## How to order

Please replace "X" with appropriate coding listed in the tables below

OLD P/N / NEW P/N  
 (SPRB2) **S P R Z** - **X X X X** - **X** - **A**

### Number of Contacts

No. of contact = Code
06 to 60 Contacts

### Connector Type

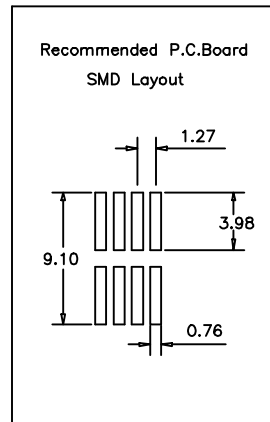
Definition	Code
Height 3.81mm	S1

### Contact Plating

Definition	Code
© Tin plated:	A
© Gold plated:	
flash B 15μ" F	
10μ" E 30μ" J	
©Standard: B	

### Pin Length mm

A
2.8 For PRS-series
6.0 For PRF-series
if you desire an other length, by marking put desired length in the A



**APTOS Technology - (831)-688-0881**