

# .079" (2.0mm) Female Header SMD Type

## Single Row

### 03 to 25 Contacts

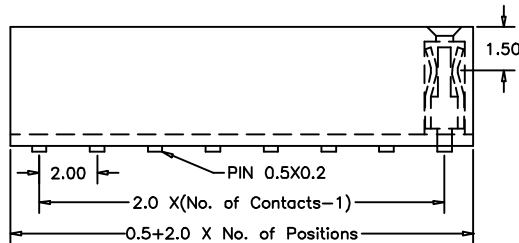
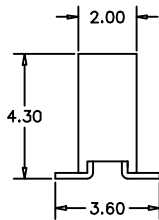
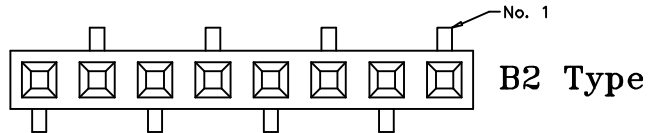
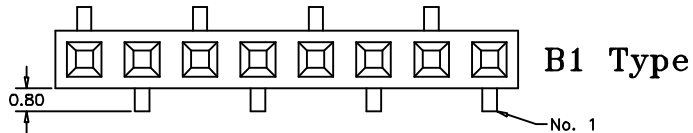
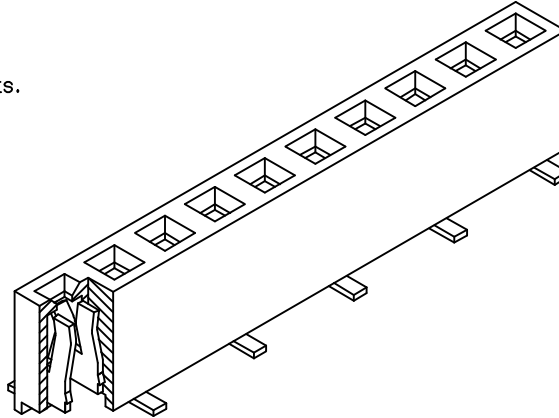
#### APPLICATION AND FEATURES

1. Low profile: 4.3mm height.
2. High quality dual beam phosphor bronze contacts.
3. Mating with 2.0mm pitch □0.5mm Pin Headers.

#### SPECIFICATIONS

Current Rating: 1 Amp  
 Insulator resistance: 5000 Megohms min.  
 Contact resistance: 20 m ohms max.  
 Dielectric withstanding: AC 500 V  
 Operating Temperature: -40°~+105°C  
 Max Processing Temp: 230° for 30 seconds  
 Contact Material: Phosphor Bronze.  
 Insulator Material: Polyester, UL 94V-0  
 ©Standard: Nylon-6T

Finish: Tin, Gold plated  
 ©Standard: Gold flash all over



unit:mm

#### How to order

Please replace "X" with appropriate coding listed in the tables below

OLD P/N / NEW P/N  
 (SPTF1) S P T F Y - X X - X X - X

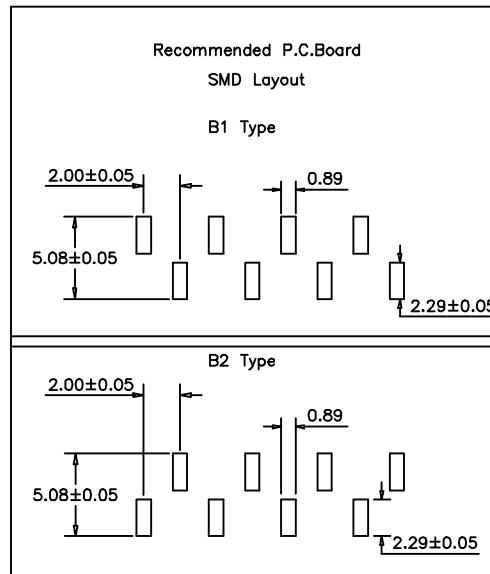
#### Number of Contacts

No. of contact = Code
03 to 25 Contacts

B1 TYPE
B2 TYPE

#### Contact Plating

Definition	Code
© Tin plated:	A
© Gold plated:	
flash B 15μ"	F
10μ" E 30μ"	J
©Standard: B	



APTOS Technology - (831)-688-0881