

# 0.039" (1.00mm) SMD Female Header

## Dual Row 06 to 60 Contacts Profile: 4.77mm

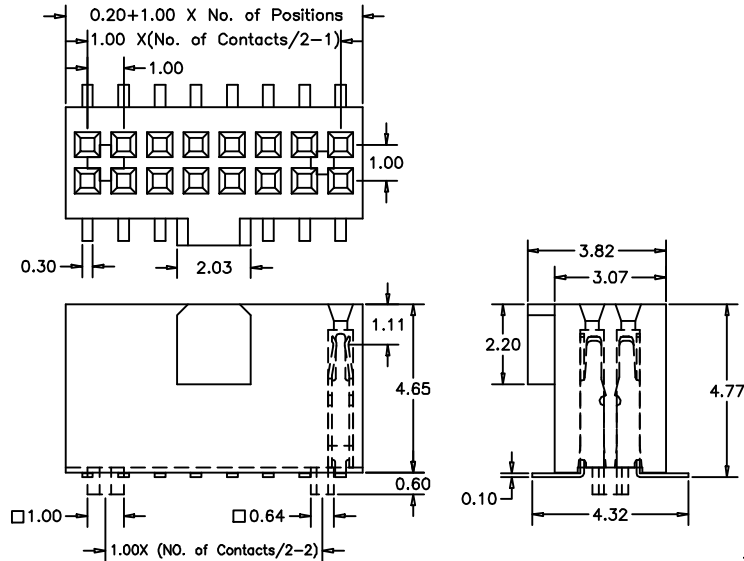
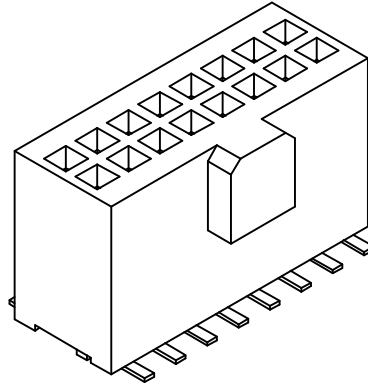
### APPLICATION AND FEATURES

1. For profile application 4.77mm high.
2. Accept 0.30mm square pin header.

### SPECIFICATIONS

Current Rating: 1 Amp  
 Insulator resistance: 5000 Megohms min.  
 Contact resistance: 20 m ohms max.  
 Dielectric withstanding: AC 500 V  
 Operating Temperature: -40°~+105°C  
 Max Processing Temp: 230° for 30 seconds  
 Contact Material: Phosphor Bronze.  
 Insulator Material: Polyester, UL 94V-0  
 ©Standard: L.C.P

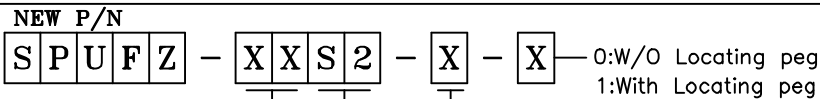
Finish: Gold plated  
 ©Standard: Gold flash all over



unit:mm

### How to order

Please replace "X" with appropriate coding listed in the tables below



#### Number of Contacts

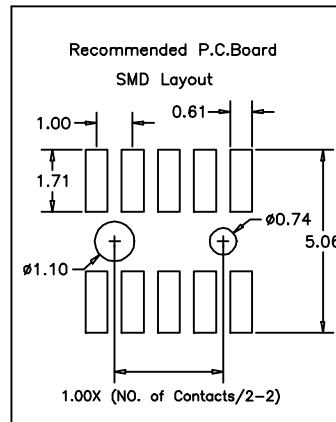
No. of contact = Code
06 to 60 Contacts

#### Connector Type

Definition	Code
Height: 4.65mm	S2

#### Contact Plating

Definition	Code
© Gold plated:	
flash	B 15μ" F
	10μ" E 30μ" J
©Standard: B	



APTOS Technology - (831)-688-0881