

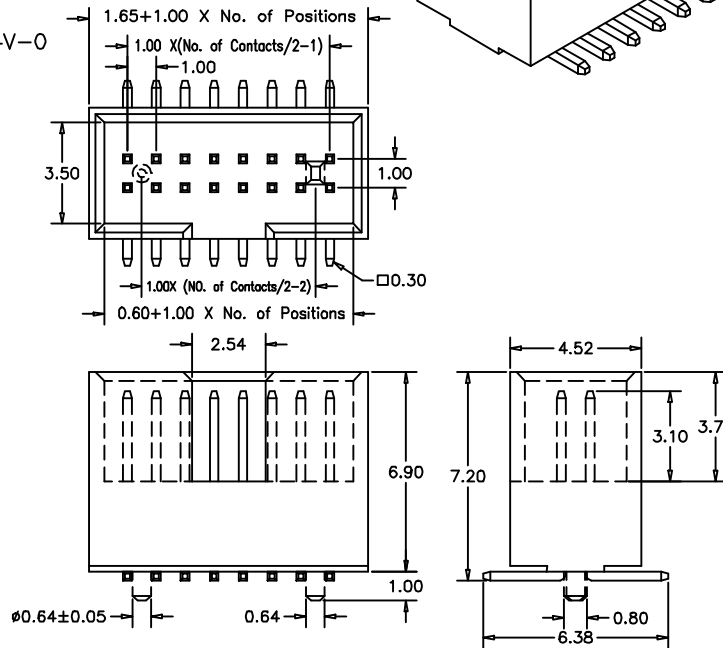
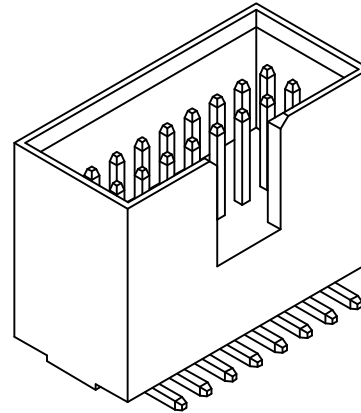
0.039" (1.00mm) SMD BOX Header Board Spacer 06 to 60 Contacts 0.3mm Square Post

APPLICATION AND FEATURES

1. Variable pin length, gold plated.
2. Mate with P.C Board connectors.

SPECIFICATIONS

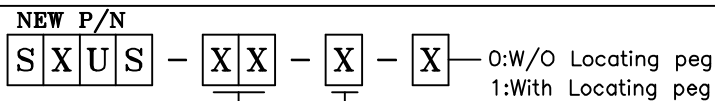
Current Rating: 1 Amp
 Insulator resistance: 5000 Megohms min.
 Dielectric withstanding: AC 500 V
 Operating Temperature: -40°~+105°C
 Contact Material: Copper alloy
 Insulator Material: Polyester, UL 94V-0
 ©Standard: L.C.P
 Finish: Tin, Gold plated
 ©Standard: Gold flash all over



unit:mm

How to order

Please replace "X" with appropriate coding listed in the tables below



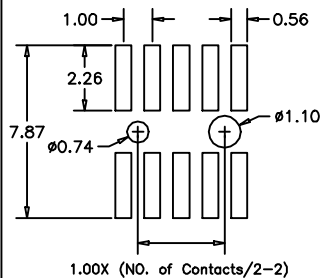
Number of Contacts

No. of contact = Code
06 to 60 Contacts

Contact Plating

Definition	Code
© Gold plated:	
flash B	15μ" F
10μ" E	30μ" J
©Standard: B	

Recommended P.C.Board SMD Layout



APTOS Technology - (831)-688-0881