

Female Header, Side Entry Type

Dual Row 10,20,30,40,60 Contacts

0.1" X 0.31" (2.54mm X 7.87mm) Pitch

APPLICATION AND FEATURES

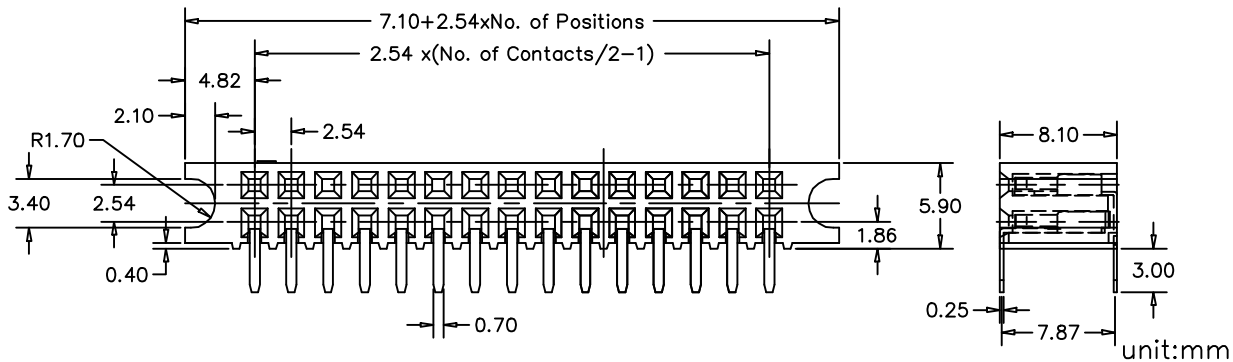
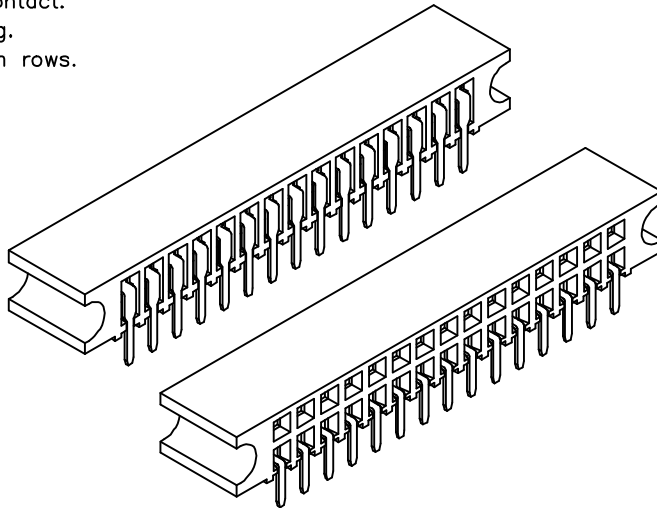
1. High reliable dual-beam phosphor bronze contact.
2. Designed for Right-Angle P.C.Board mounting.
3. Pin stop to prevent shorting circuits between rows.
4. Mate with 0.64 S.Q Pin Header.

SPECIFICATIONS

Current Rating: 3 Amps
 Insulator resistance: 5000 Megohms Min.
 Contact resistance: 20 m ohms max.
 Dielectric withstanding: AC 1000 V
 Operating Temperature: -40°~+105°C
 Contact Material: Phosphor Bronze
 Insulator Material: Polyester, UL 94V-0
 ©Standard: P.B.T

Finish: Tin, Gold plated

©Standard: Gold flash all over



How to order

Please replace "X" with appropriate coding listed in the tables below

OLD P/N / NEW P/N
 (VRF) V R F - X X X - X -030

Number of Contacts

No. of contact = Code
10,20,30,40,60

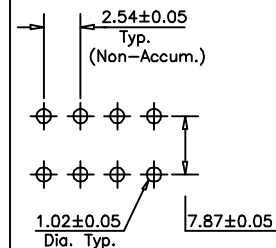
Connector Type

Definition	Code
Right Angle	R

Contact Plating

Definition	Code
© Tin plated:	A
© Gold plated:	
flash	B
15μ"	F
10μ"	E
30μ"	J
© Standard:	B

Recommended P.C.Board Hole Layout



APTOS Technology - (831)-688-0881