

No. of Contacts	DIMENSIONS	
	A	B
3	5.00	7.50
4	7.50	10.00
5	10.00	12.50
6	12.50	15.00
7	15.00	17.50
8	17.50	20.00
9	20.00	22.50
10	22.50	25.00
11	25.00	27.50
12	27.50	30.00
13	30.00	32.50
14	32.50	35.00
15	35.00	37.50
16	37.50	40.00
17	40.00	42.50
18	42.50	45.00
19	45.00	47.50
20	47.50	50.00
21	50.00	52.50

LBY-XXD1-X-K01

Brass
Number of Contacts

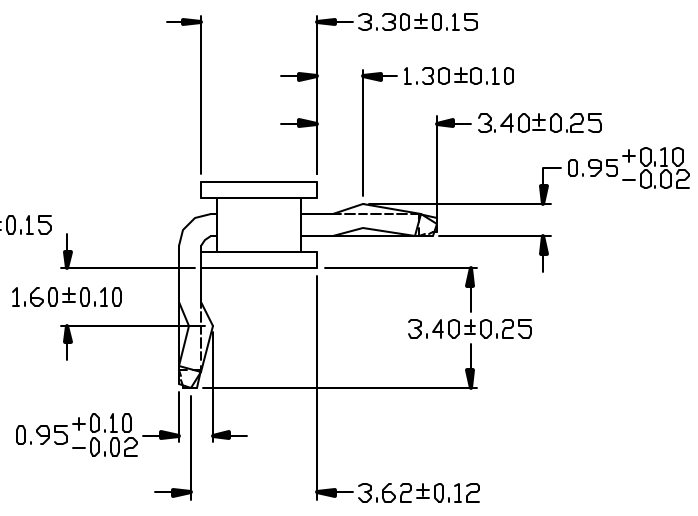
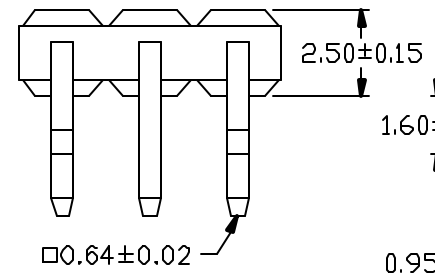
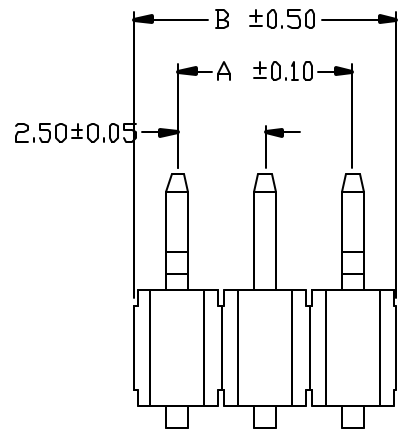
Contact Plating

Definition	Code
⊙ Tin plated:	A
⊙ Gold plated:	
flash B 15μ"	F
10μ" E 30μ"	J
⊙ Duplex plating:	
flash K 15μ"	P
10μ" N 30μ"	U
⊙ Standard:	B

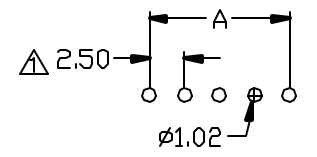
SPECIFICATIONS

Current Rating: 3 Amps
 Insulator resistance: 5000 Megohms Min.
 Dielectric withstanding: AC 500 V
 Operating Temperature: -40° - +105°C
 Contact Material: Brass or Phosphor bronze
 Insulator Material: Polyester, UL 94V-0
 ⊙ Standard: P.B.T

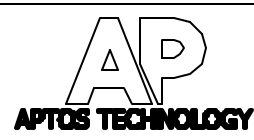
*Product specifications are subject to change without notice. Please contact sales office for further confirmation.



Recommended P.C.Board Hole Layout



⚠ 2.54	VERSION	2.50	18-02-02*
--------	---------	------	-----------



GENERAL TOLERANCE	
XX. ±	XXX. ±
X. ±	.XXX ±
.X ±	X. ±
.XX ±	.X ±

SCALE	5=1
UNIT	MM
SIZE	A4

DRAWN
CHECK
APPROVE

DATE -02-02*
DATE -02-02*
DATE -02-02*

DWG. NO.
F:\DWG\CDWG\B\BYROR.DWG
PARTS NO.
LBY-XXD1-X-K01

TITLE
XBY Series

REV. 1.1
SHEET 1/2