

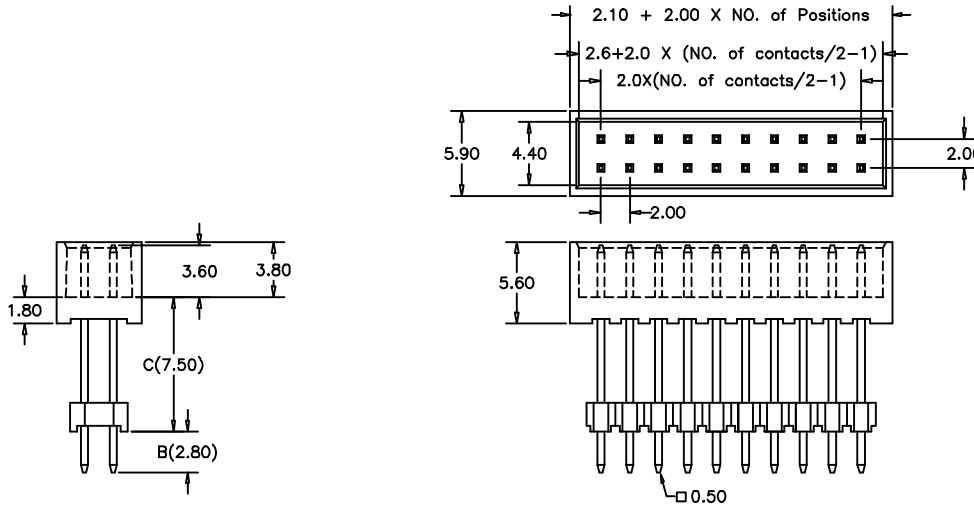
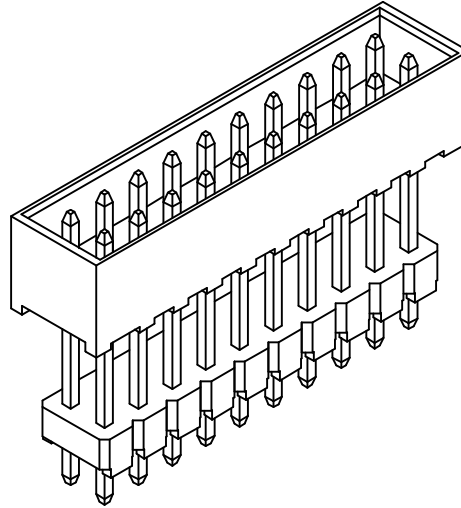
0.79" X 0.79" (2.00 X 2.00) Pin Header Box Type Board Spacer Dual Row 0.5mm Square Post

APPLICATION AND FEATURES

- Mate with 2.0mm pitch P.C.Board Female Connector and shunt connector.

SPECIFICATIONS

Current Rating: 1 Amp
 Insulator resistance: 5000 Megohms min.
 Dielectric withstanding: AC 500 V
 Operating Temperature: -40° ~ +105°C
 Contact Material: Copper alloy
 Insulator Material: Polyester, UL 94V-0
 ◎Standard: Nylon-6T
 Finish: Tin, Gold or Duplex plated
 ◎Note:
 Duplex plating: gold plated on contact area,
 Tin on solder area



How to order

Please replace "X" with appropriate coding listed in the tables below

OLD P/N / NEW P/N
 (XPDD) **X D D - X X - X - C / B**

Pin Type		Number of Contacts	Contact Plating		Pin Length mm		Recommended P.C.Board Hole Layout
Definition	Code	No. of contact = Code	Definition	Code	C	B	
Pin Material:		06 to 80 Contacts	◎ Tin plated:	A	7.5	2.8	2.00 ± 0.05 Typ. (Non-Accum.) 0.8 ± 0.05 Dia. Typ.
Brass	L		◎ Gold plated:				
Bronze	B		flash B 15μ" F	10μ" E 30μ" J			
Phosphor Bronze	P		◎ Duplex plating:				
			flash K 15μ" P	10μ" N 30μ" U	if you desire an other length, by marking put desired length in the C / B		
◎ Standard:L			◎Standard:B				

APTOS Technology - (831)-688-0881