

0.1"(2.54mm)X0.1"(2.54mm) I.D.C Female Socket Connector For 0.05" (1.27mm) Center Flat Ribbon Cable

APPLICATION AND FEATURES

1. Designed to mate with 0.64mm square dual row shrouded and unshrouded headers.
2. Accepts 26 or 28 AWG flat ribbon cable.
3. Optional polarization.
4. Optional strain relief.
5. Mate with Pin Header.

SPECIFICATIONS

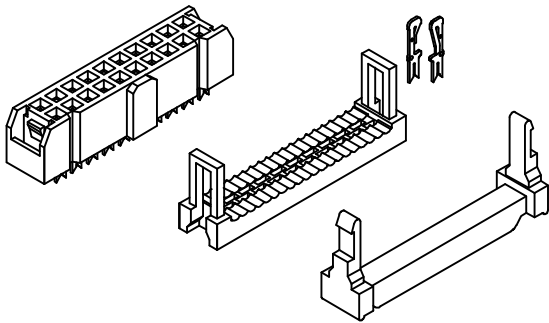
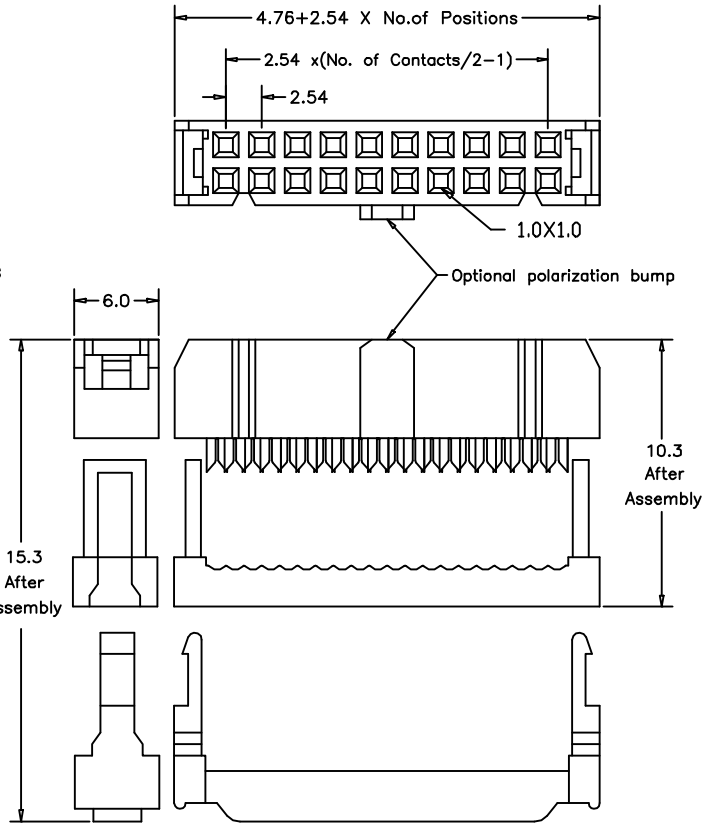
Current Rating: 3 Amps
 Insulator resistance: 5000 Megohms min.
 Contact resistance: 20 m ohms max.
 Dielectric withstanding: AC 1000 V
 Operating Temperature: -40°~+105°C
 Contact Material: Phosphor bronze or Brass
 Insulator Material: Polyester, UL 94V-0
 ©Standard: P.B.T

Finish: Duplex plated

©Standard: Duplex plating

©Note:

Duplex plating: gold plated on contact area,
 Tin on solder area



unit:mm

How to order

Please replace "X" with appropriate coding listed in the tables below

OLD P/N / NEW P/N

(XFCS)

X	F	C	S
---	---	---	---

 -

X	X
---	---

 -

X

 -

X

 -

X

 - 0:W/O Polarization Bump
1:With Polarization Bump

Pin Type

Number of Contacts

Contact Plating

W/ or W/O S.R

Definition	Code
Pin material	
Brass	B
Phosphor Bronze	P
©Standard: B	

No. of contact = Code
6, 8, 10, 12, 14, 16, 20, 24, 26, 30, 34, 40, 50, 60, 64,

Definition	Code
©Duplex plating:	
flash	K

Definition	Code
Without Strain Relief	0
with Strain Relief	1

Definition	Code
Without Strain Relief	0
with Strain Relief	1

APTOS Technology - (831)-688-0881